

DN65-DN100

HK-23

HIGH CAPACITY THERMOSTATIC STEAM TRAP

GENEL ÖZELLİKLER

Ayvaz HK-23 High Capacity Thermostatic Encapsulated Steam Trap is produced especially for sugar industry. Thermostatic capsules with high corrosion resistance are also very resistant to water hammer. The regulating valve in the interior, allowing the condensate to drain very high levels of condensate by up and down movement.

There are 3 thermostatic capsules for DN50. There are 4 capsules for the diameters of DN65-DN100.

When the amount of condensate exceeds the discharge capacity of the capsules, the conical valve is opened automatically as it is set and the condensation is released. With the adjusting screw on the condenser, the discharge amount is controlled by adjusting the distance of the conical valve from the seat.

Ayvaz HK-23 High Capacity Thermostatic Encapsulated Steam Trap should be installed to the horizontal pipeline properly for the efficient and long term operation. Appropriate isolation valves must be installed to ensure that maintenance and drainage are safe.

Product Material:

Body and Cover:

GGG 40.3 Ductile Iron Casting

Inner Parts: Stainless Steel

Connection:

Flanged

Nominal Diameter:

DN50 (2") – DN100 (4")

Pressure Class:

PN 16

Working Temperature:

Max. 250 °C

Application Areas:

- Sugar industry
- Heating batteries
- Pans
- Oven
- Drying rollers

Installation

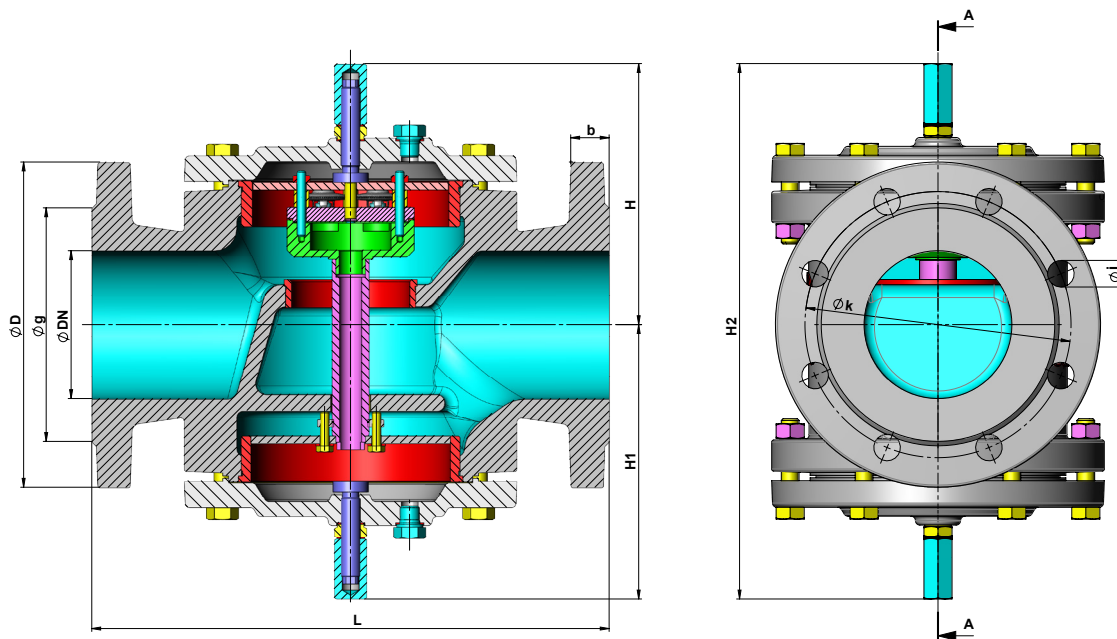
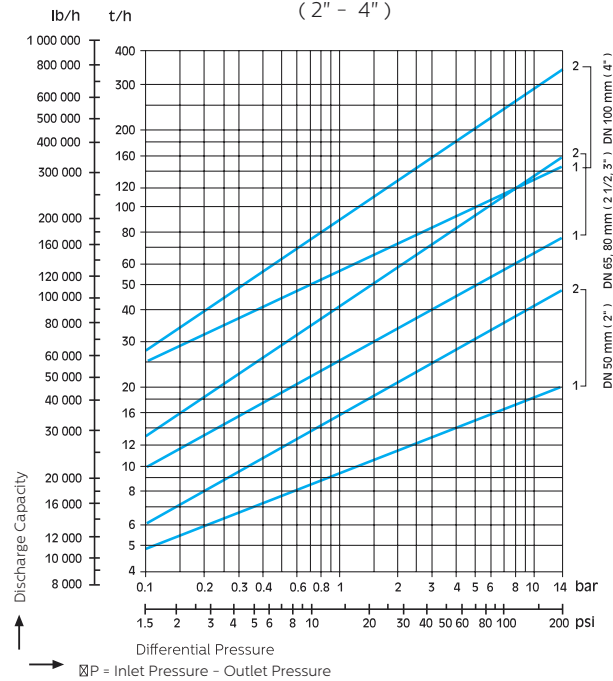
HK-23 condensers must be installed parallel / horizontal to the pipeline in order to operate efficiently for a long time.

CONNECTION	
Flanged	DIN 2533

WEIGHT	
Connection	Flanged
Diameter (mm)	50-65-80-100
Weight (kg)	17-28-31-56

HK-23 HIGH CAPACITY THERMOSTATIC STEAM TRAP

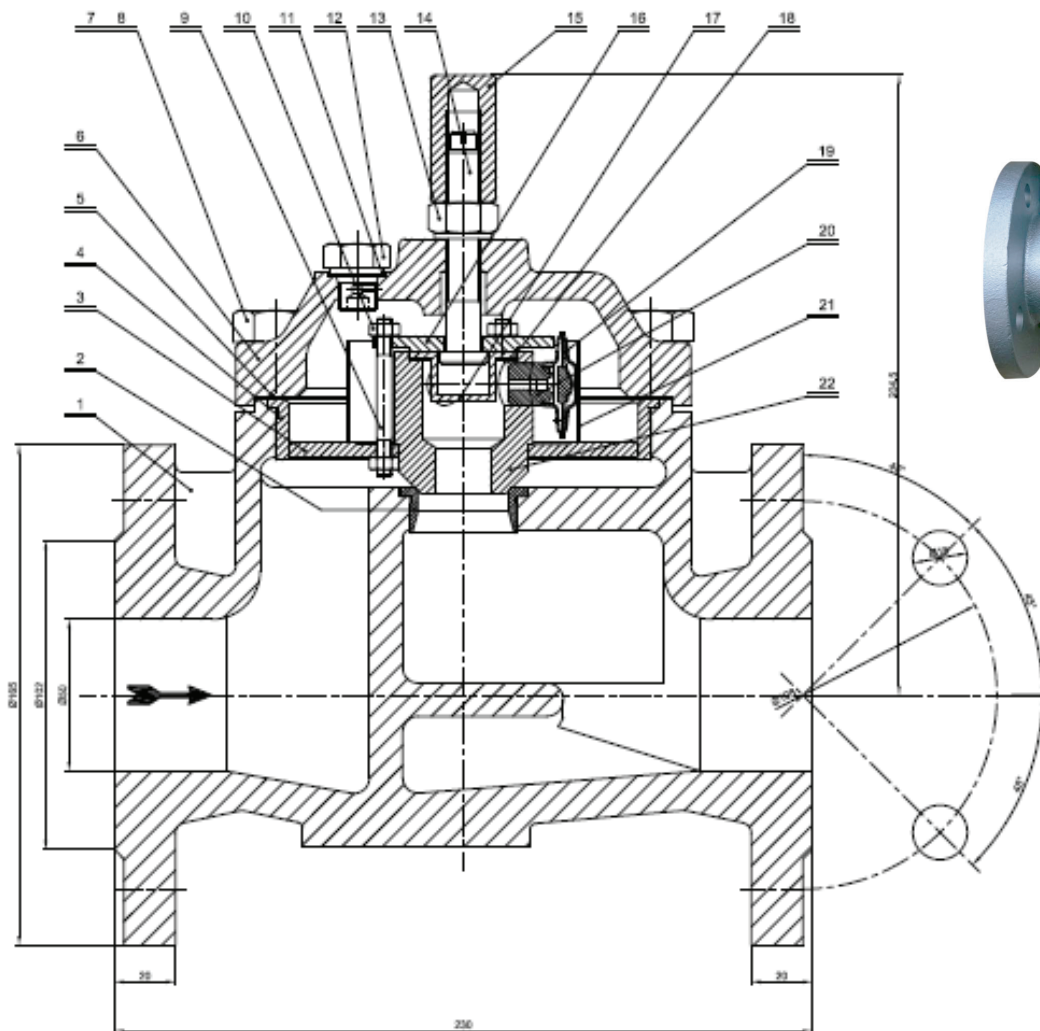
Discharge Capacities
(2" - 4")



DIMENSIONS (mm)								
Dia.	H-H1-H2	L	D	b	k	g	i	Holes
50	180-170-350	230	165	20	125	102	18	4
65	180-170-350	290	185	22	145	122	18	8
80	180-170-350	310	200	24	160	138	18	8
100	180-188-368	350	235	24	190	162	23	8

HK-23 HIGH CAPACITY THERMOSTATIC STEAM TRAP

DN50

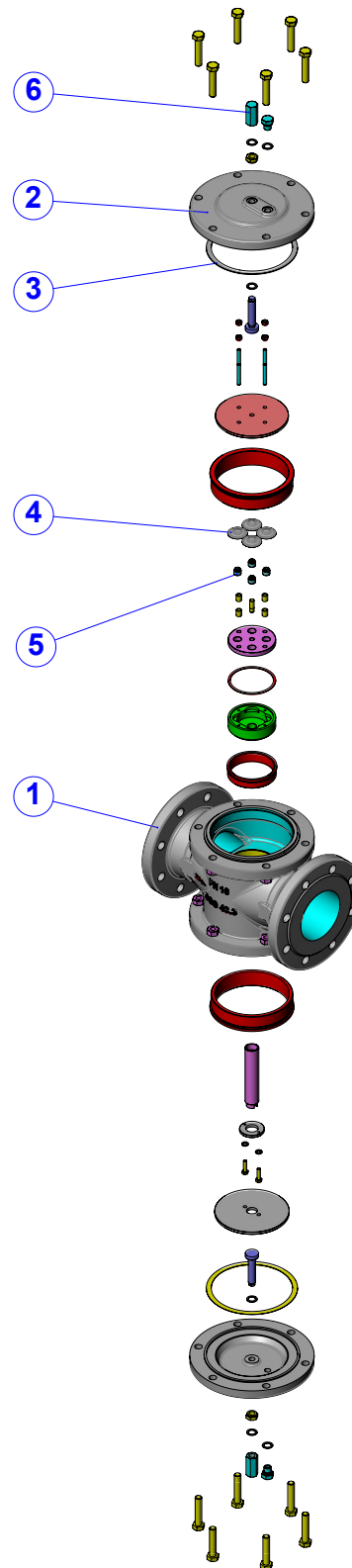


PARTS		
No	Part Name	Material
6	Cover	GGG 40
7-8	Nut	8
11	Gasket	Stainless Steel
14	Collar Nut	Stainless Steel
15	Contre Nut	Stainless Steel
13	Adjustment screw	Stainless Steel
12	Discharge Plug	Stainless Steel
19	Capsule	Stainless Steel
21	Top plate of valve	Stainless Steel
5	Cover gasket	Pure graphite gasket
4	Top circle	Stainless Steel
20	Plate of capsule	Stainless Steel
22	Conic valve	Stainless Steel
1	Body	GGG40
2	Seat	Stainless Steel

HK-23 HIGH CAPACITY THERMOSTATIC STEAM TRAP

DN65-DN100

PARTS		
No	Part Name	Material
1	Body	GGG 40.3 Ductile Iron
2	Cover	GGG 40.3 Ductile Iron
3	Cover Gasket	Graphite
4	Thermostatic Capsule	
5	Capsule Seat	Stainless Steel
6	Acorn Nut	Stainless Steel





HEAD OFFICE - MAIN FACTORY

Atatürk Sanayi Bölgesi Hadımköy Mahallesi
Mustafa İnan Caddesi No: 44 Arnavutköy - İstanbul
Tel: +90 212 771 01 45 (pbx) | Fax: +90 212 771 47 27
info@ayvaz.com | www.ayvaz.com



Cona
Caserta / Italy
Tel : +39 0823 187 3988
rmolaro@ayvaz.com



Ayvaz Ukraine
Kiev / Ukraine
Tel : +380 44 390 57 57
info@ayvaz.com.ua



Tricorr
Warsaw / Poland
Tel : +48 530 030 810
tricorr@tricorr.eu



Ayvaz Germany
Viernheim / Germany
Tel : +49 62046014399
germany@ayvaz.com



Ayvaz Serbia
Belgrade / Serbia
Tel : +381 61 658 70 52
yakbiyik@ayvaz.com



Ayvaz Azerbaijan
Baku / Azerbaijan
Tel : +99(455)579-84-32
ahayatov@ayvaz.com



Ayvaz Kazakhstan LLP
Almaty / Kazakhstan
Tel : +7 (727) 327 97 57
www.ayvaz.kz



Ayvaz N
Isperih / Bulgaria
Tel : +359 8431 27 32
office@ayvaz-n.eu



Ayvaz Vietnam
HCMC / Vietnam
Tel : +84 89 8508345
ggursoy@ayvaz.com



Ayvaz China
Ningbo / China
Tel : +86 152 5830 7361
msahin@ayvaz.com



Ayvaz Egypt
Cairo / Egypt
Tel : +20 122 819 78 29
andrew.eid@ayvaz.com



Ayvaz Gulf
Dubai / U.A.E.
Tel : +971 563550822
+971 501306871
mideast@ayvaz.com



Ayvaz Americas
Rhode Island
Tel : +1 401 737 8380
americas@ayvaz.com