

# TGV-10

## FULL BORE BALL VALVE / THREE PARTIAL

### GENERAL FEATURES

The essential element in the ball valve is a ball which has a hole in the middle. This ball's 90° turn move it from fully opened to closed position. The ball valves are primarily used in places where it is necessary to open and close a lot or to open and close quickly.

The advantages are low pressure losses, easy opening and closing, good sealing, light weight and low space occupancy. Sealing: It is made up of two stages as a sphere seal and a shaft seal.

Ayvaz TGV-10 Three-Piece Full-Bore Ball Valves are important control elements that provide on-off and flow control.

Due to their structure and fluid flow shape, ball valves are valves with minimum pressure loss. In particular, Ayvaz TGV-10 Full-Flow Ball Valves provide an equivalent pressure loss in the same diameter pipe.

The top flange is available in accordance with ISO 5211 and is suitable for actuator tool.

**Material List**

Body: GG 25 Cast Iron

**Connection:**

Flanged

**Nominal Diameter:**

DN15 (1/2") – DN200 (8")

**Pressure:**

Max. 16 bar

**Temperature Range:**

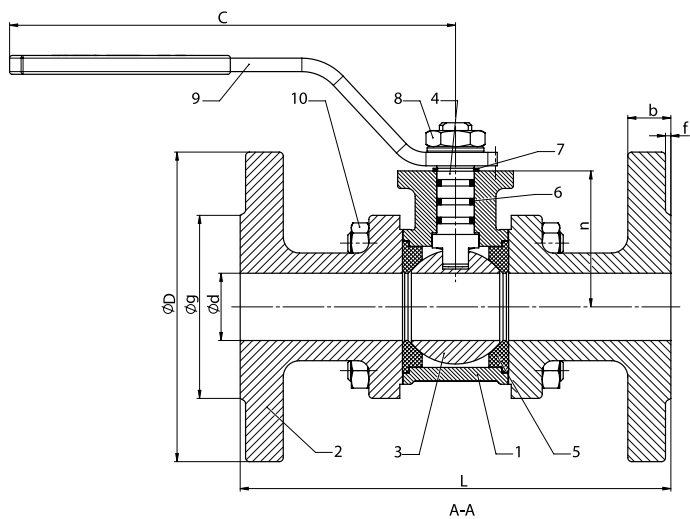
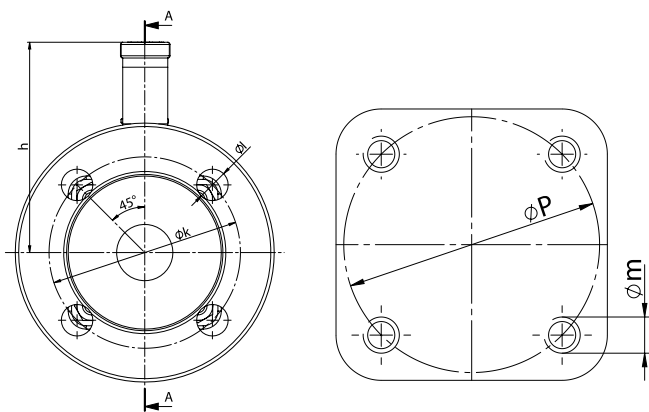
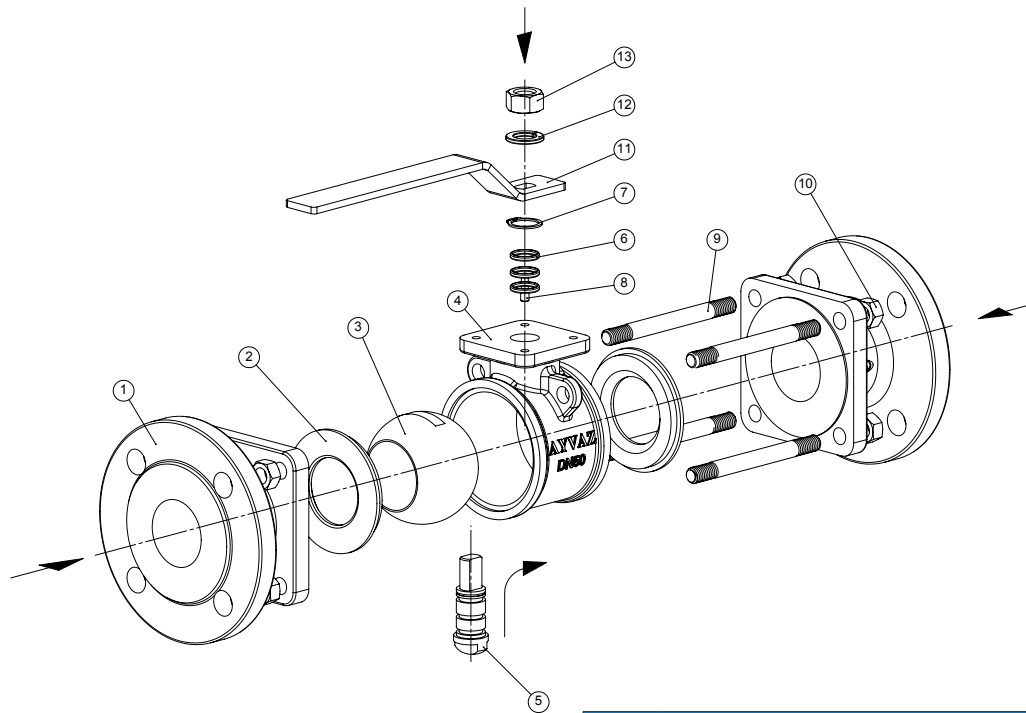
Based on the material from -10 °C to 180 °C

**Application Areas**

- Heating-cooling lines
- Food facilities
- Shipbuilding
- Paper mills

OPEN / CLOSE TORQUE VALUE (Nm)												
DN	15	20	25	32	40	50	65	80	100	125	150	200
Full Bore	5	7	11	14	17	25	45	80	120	210	400	770

# TGV-10 FULL BORE BALL VALVE / THREE PARTIAL

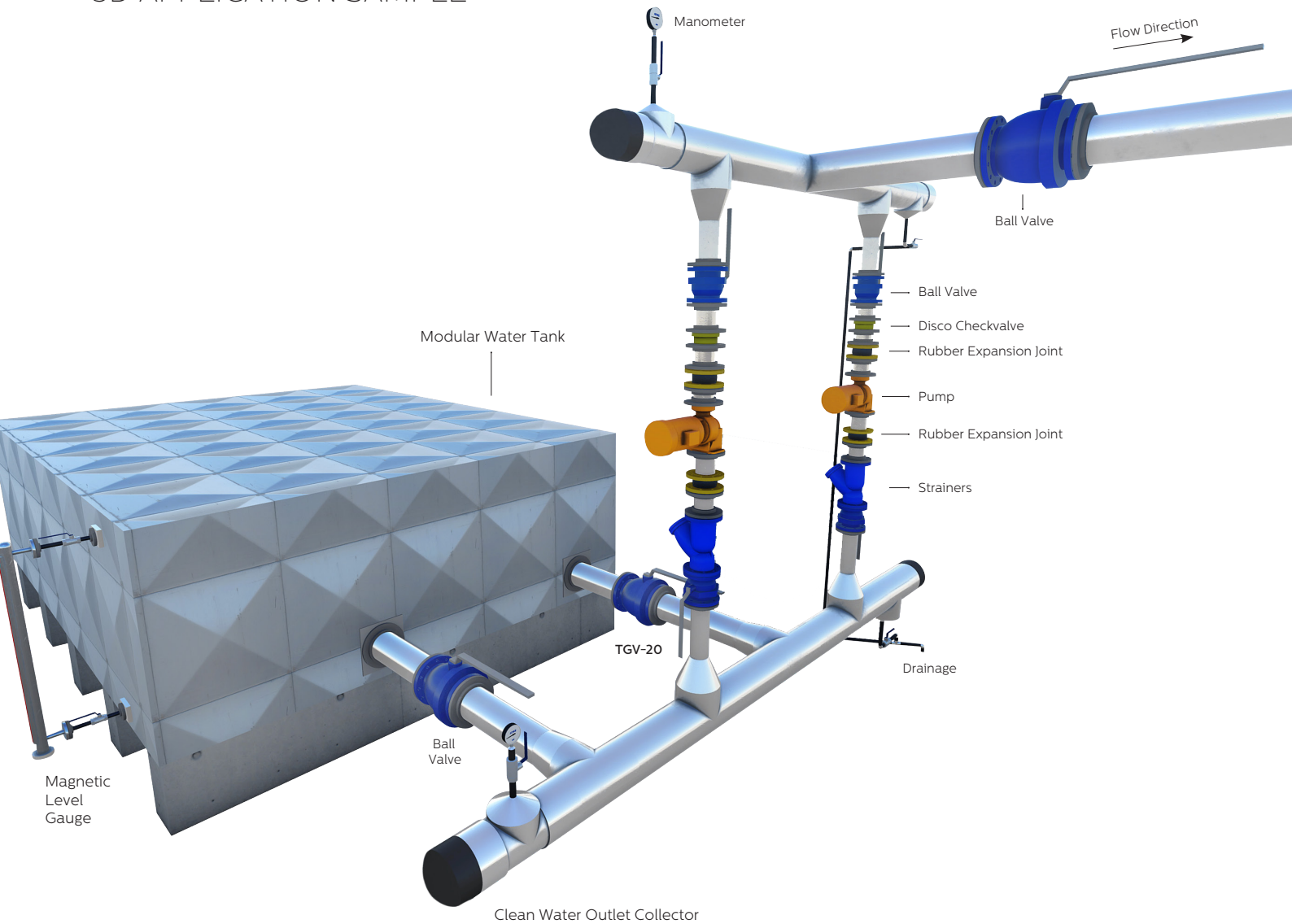


PART LIST		
No	Part Name	Material
1	Flange	GG-25 Cast Iron
2	Ball Bearing	Teflon
3	Ball	1.403 Stainless Steel
4	Body	GG-25 Cast Iron
5	Movement Stem	
6	Pin	
7	Stem Segment	
8	O-Ring	PTFE
9	Stud	8,8
10	Nut	8
11	Handle	DKP Tin
12	Spring Washer	Spring Steel
13	Nut	8

TGV-10 DIMENSIONS (mm)										
DN	ØD	Øg	Øb	Øk	Øl	n	f	L	h	c
15	95	45	16	65	14	4	2	130	82,5	166
20	105	58	16	75	14	4	2	150	88,5	166
25	115	68	16	85	14	4	2	160	93,5	166
32	140	78	20	100	18	4	2	180	98	230
40	150	88	20	110	18	4	3	200	110	230
50	165	102	20	125	18	4	3	230	117	230
65	185	122	20	145	18	4	3	290	139	400
80	200	138	22	160	18	8	3	310	154	400
100	220	158	24	180	18	8	3	350	171	400
125	250	188	27	210	18	8	3	400	211	702
150	285	212	27	240	22	8	3	350	228	702
200	340	268	31	295	22	12	3	400	287	774

# TGV-10 FULL BORE BALL VALVE / THREE PARTIAL

## 3D APPLICATION SAMPLE



### HEAD OFFICE - FACTORY

Atatürk Sanayi Bölgesi Hadımköy Mahallesi Mustafa İnan Caddesi No: 44 Arnavutköy - İSTANBUL  
 Tel: +90 212 771 01 45 (pbx) | Fax: +90 212 771 47 27  
 info@ayvaz.com | www.ayvaz.com

**Cona**  
**Caserta/Italy**  
 Tel: +39 0823 187 3988  
 rmolaro@ayvaz.com

**Ayvaz Germany**  
**Viernheim/Germany**  
 Tel: +49 62046014399  
 germany@ayvaz.com

**Ayvaz Ukraine**  
**Kiev/Ukraine**  
 Tel: +380 44 390 57 57  
 info@ayvaz.com.ua

**Tricorr**  
**Warsaw/Poland**  
 Tel: +48 530 030 810  
 +48 533 603 335  
 tricorr@tricorr.eu

**Ayvaz Azerbaijan**  
**Baku/Azerbaijan**  
 Tel: +99 (455) 579-84-32  
 ahayatov@ayvaz.com

**Ayvaz Egypt**  
**Cairo/Egypt**  
 Tel: +20 122 819 78 29  
 andrew.eid@ayvaz.com

**Ayvaz Gulf**  
**Dubai/U.A.E**  
 Tel: +971 563550822  
 +971 501306871  
 mideast@ayvaz.com

**Ayvaz China**  
**Ningbo/China**  
 Tel: +86 152 5830 7361  
 msahin@ayvaz.com

**Ayvaz Kazakhstan LLP**  
**Almaty/Kazakhstan**  
 Tel: +7 (727) 327 97 57  
 info\_kz@ayvaz.com

**Ayvaz N**  
**İsperih/Bulgaria**  
 Tel: +359 8431 27 32  
 office@ayvaz-n.eu

**Ayvaz Serbia**  
**Belgrade/Serbia**  
 Tel: +381 61 658 70 52  
 yakbiyik@ayvaz.com

**Ayvaz Vietnam**  
**HCMC/Vietnam**  
 Tel: +84 89 8508345

**Ayvaz Americas**  
**Rhode Island/USA**  
 Tel: +1 401 737 8380  
 americas@ayvaz.com