



# V-2P

## TWO PARTIAL BALL VALVES

### GENERAL FEATURES

The essential element in the ball valve is a ball which has a hole in the middle. This ball's 90° turn move it from fully opened to closed position. The ball valves are primarily used in places where it is necessary to open and close a lot or to open and close quickly.

The advantages are low pressure losses, easy opening and closing, good sealing, light weight and low space occupancy. Sealing; It is made up of two stages as a sphere seal and a shaft seal.

Ayvaz V-2P Two-Piece Stainless Steel Ball Valves, 10 bars under water are subjected to a 100% air test in the open and closed positions.

**Material Structure:**

**Body:** AISI304 Stainless Steel

**Ball:** AISI304 Stainless Steel

**Connections:**

Threaded

**Nominal Diameters:**

DN15 (1/2") - DN25 (2")

**Pressure Rate:**

DN15-DN25: 25 bar

DN32-DN50: 20 bar

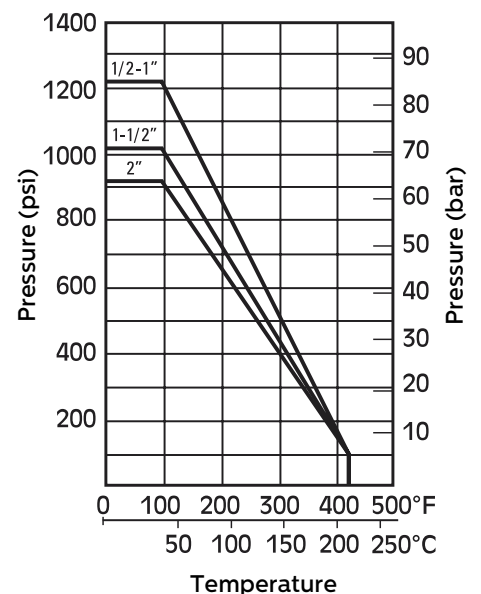
**Temperature Range:**

Depend on the material from -25°C to 180°C

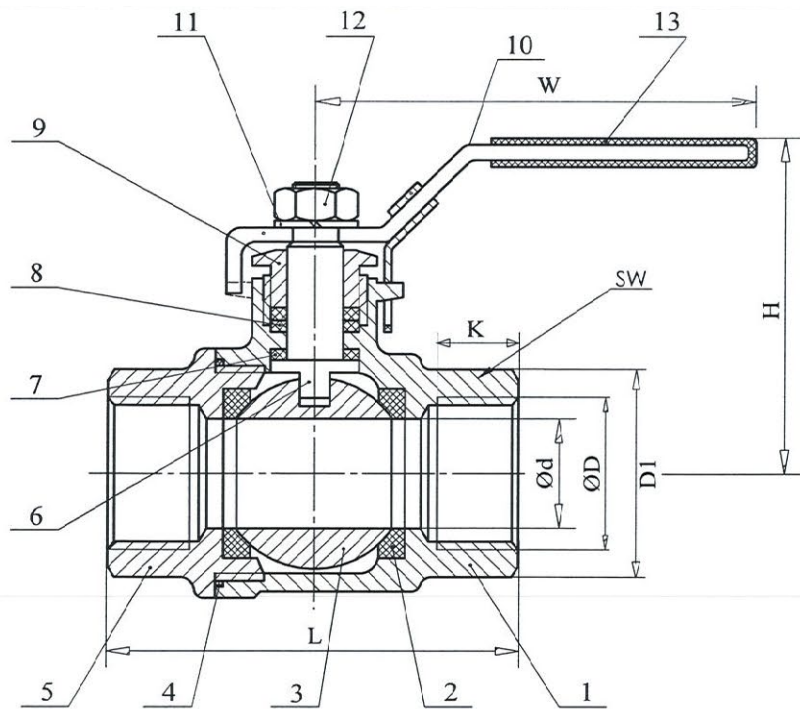
**Applications:**

- Heating-cooling lines
- Food facilities
- Chemical industry
- Shipbuilding
- Paper factories

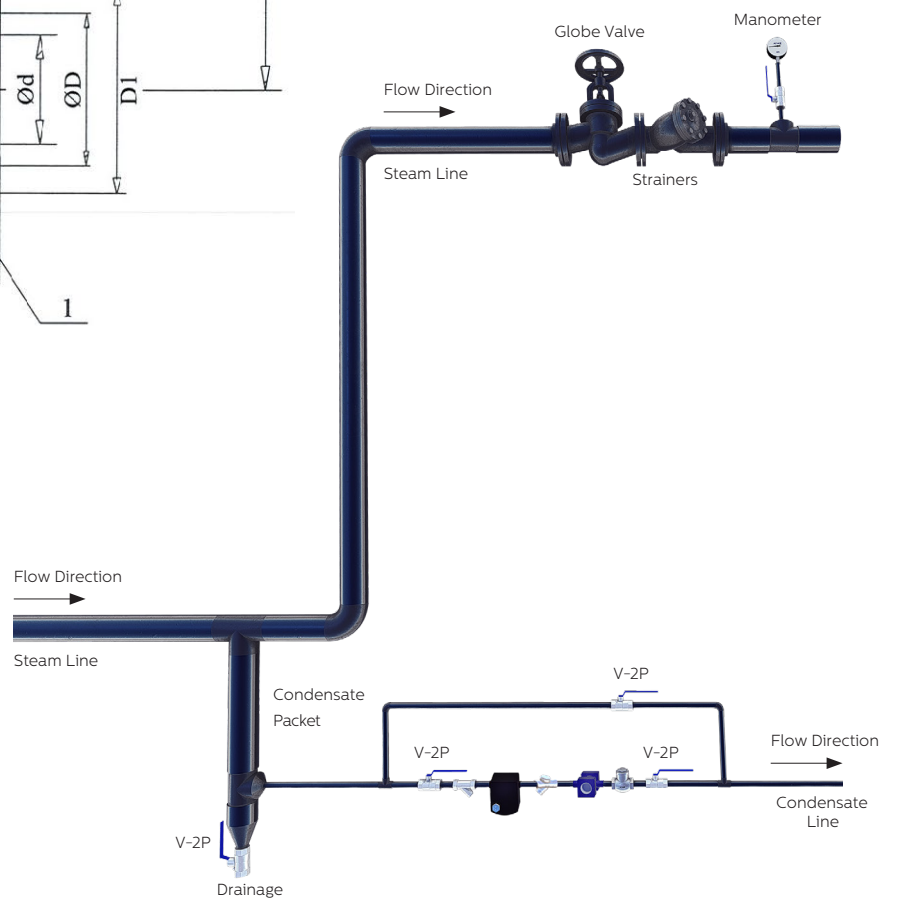
Pressure - Temperature



# V-2P TWO PARTIAL BALL VALVES



## 3D INSTALLATION SAMPLE



PART LIST		
No	Part Name	Material
1	Body	CF8 (1.4301)
2	Ball Gasket	R-PTFE
3	Ball	SS304 (1.4301)
4	Body Teflon	PTFE
5	Cover	CF8 (1.4301)
6	Moving Stem	SS304 (1.4301)
7	Pressure Adj. Washer	PTFE
8	Sealing Nut	PTFE
9	Sealing Nut	SS304 (1.4301)
10	Handle	SS304 (1.4301)
11	Ring	SS304 (1.4301)
12	Nut	SS304 (1.4301)
13	Handle Cover	Plastic

DIMENSIONS										
Dia.	Ød	ØD	D1	K	SW	L	H	W	Nm	kg
DN15	15	1/2"	27	11	24	55	53	101	5	0,2
DN20	20	3/4"	34	12	30,5	65	57	102	8	0,3
DN25	25	1"	42	15	37	75	63	112	10	0,5
DN32	32	1 1/4"	51	16	46	85	75	128	14	0,8
DN40	40	1 1/2"	58	16	52,5	95	83	150	18	1
DN50	50	2"	71	17	63,5	110	93	160	25	1,5

## V-2P TWO PARTIAL BALL VALVES

---

## TWO PARTIAL BALL VALVES



### HEAD OFFICE - FACTORY

Atatürk Sanayi Bölgesi Hadımköy Mahallesi Mustafa İnan Caddesi No: 44 Arnavutköy - İSTANBUL  
Tel: +90 212 771 01 45 (pbx) | Fax: +90 212 771 47 27  
info@ayvaz.com | www.ayvaz.com

#### **Cona Caserta/Italy**

Tel: +39 0823 187 3988  
rmolaro@ayvaz.com

#### **Ayvaz Germany Viernheim/Germany**

Tel: +49 62046014399  
germany@ayvaz.com

#### **Ayvaz Ukraine Kiev/Ukraine**

Tel: +380 44 390 57 57  
info@ayvaz.com.ua

#### **Tricorr Warsaw/Poland**

Tel: +48 530 030 810  
+48 533 603 335  
tricorr@tricorr.eu

#### **Ayvaz Azerbaijan Baku/Azerbaijan**

Tel: +99 (455) 579-84-32  
ahayatov@ayvaz.com

#### **Ayvaz Egypt Cairo/Egypt**

Tel: +20 122 819 78 29  
andrew.eid@ayvaz.com

#### **Ayvaz Gulf Dubai/U.A.E**

Tel: +971 563550822  
+971 501306871  
mideast@ayvaz.com

#### **Ayvaz China Ningbo/China**

Tel: +86 152 5830 7361  
msahin@ayvaz.com

#### **Ayvaz Kazakhstan LLP Almaty/Kazakhstan**

Tel: +7 (727) 327 97 57  
info\_kz@ayvaz.com

#### **Ayvaz N Ispirih/Bulgaria**

Tel: +359 8431 27 32  
office@ayvaz-n.eu

#### **Ayvaz Serbia Belgrade/Serbia**

Tel: +381 61 658 70 52  
yakbiyik@ayvaz.com

#### **Ayvaz Vietnam HCMC/Vietnam**

Tel: +84 89 8508345

#### **Ayvaz Americas Rhode Island/USA**

Tel: +1 401 737 8380  
americas@ayvaz.com