

TDK-45

TERMODYNAMIC STEAM TRAP

GENERAL FEATURES

The sealing part of Ayvaz TDK-45 Thermodynamic Traps is made of stainless steel and the body is made of forged steel C 22.8 denier. In working conditions; counter pressure must not exceed 80% of front pressure. Depending on TDK-45 condensate can discharge intermittently. It is possible to supply all spare parts together with the flow convenience. Strainer is "Y" type which is under the body and the cleaning process is extremely easy.

Ayvaz TDK-45 Thermodynamic Traps must be installed on the horizontal pipeline in order to operate efficiently and for a long time. Proper isolation valves must be installed to ensure the maintenance and replacement of the trap is safe.

Product Features:

Body: Forged
Steel Bonnet: Transmission Steel
Interior Parts: AISI 304 SS

Connections

Threaded, welded end and flanged

Nominal Diameters:

DN15 (1/2") - DN25 (1")

Pressure:

Max. 40 bar

Minimum Operating Pressure:

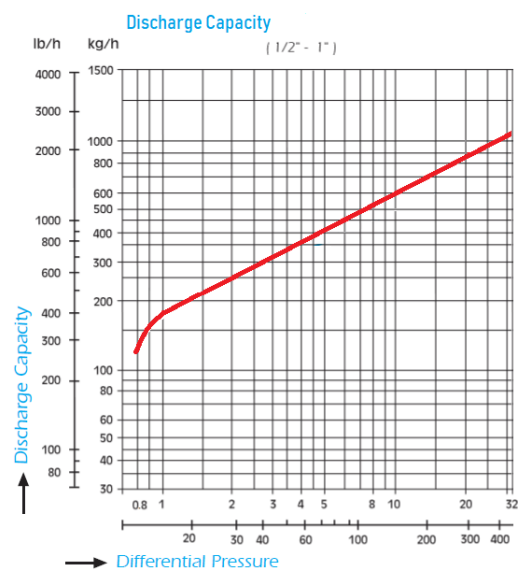
0.7 bar

Working Temp:

Max. working temp. 400 °C

Applications:

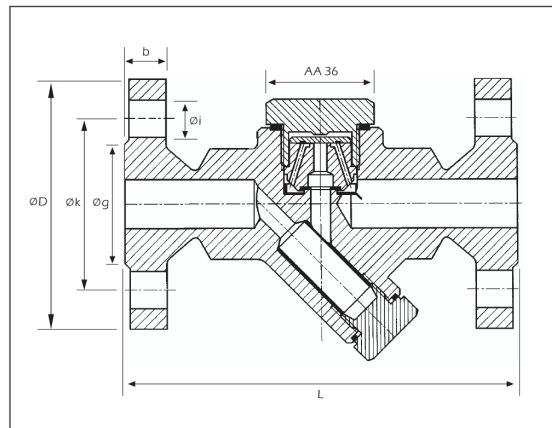
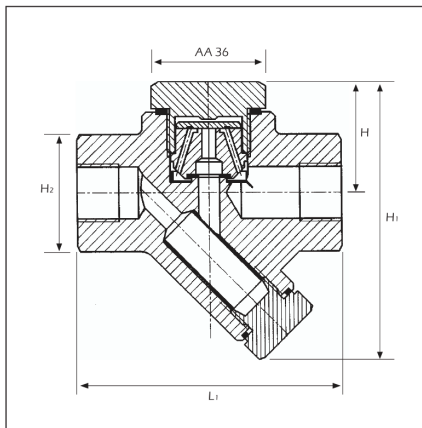
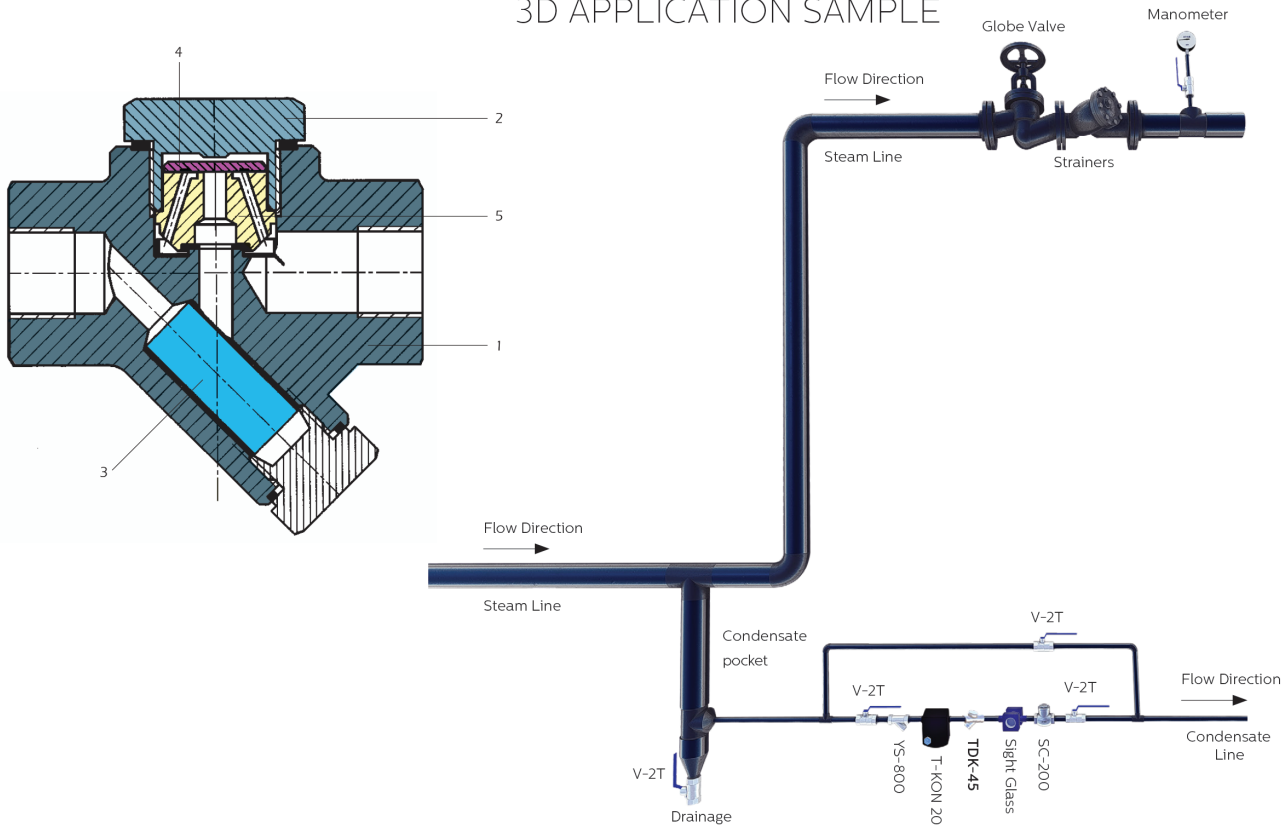
- Drying Units
- Pressing Units
- Steam Trapped Pipes
- Irons
- Condensate pocket and line breaks on main steam lines



WEIGHT			
CONNECTION	Flanged	Threaded	Welded End
Diameter (mm)	15-20-25	1/2"-3/4"-1"	1/2"-3/4"-1"
Weight (kg)	3,4-4,1-4,5	1,8-1,7-1,6	1,9-1,9-1,9

TDK-45 TERMODYNAMIC STEAM TRAP

3D APPLICATION SAMPLE



SPARE PARTS		
No	Part	Material
1	Body	Forged Steel
2	Bonner	Transmission Steel
3	Strainer	Stainless Steel
4	Disc	Stainless Steel
5	Sit	Stainless Steel

Dimension								
Dia.	L-L1	H-H1-H2	D	b	k	g	i	Num. of Holes
15	150-95	40-100-42	95	16	65	45	14	4
20	150-95	40-100-42	105	18	75	58	14	4
25	160-95	40-100-42	115	18	85	68	14	4

TDK-45 TERMODYNAMIC STEAM TRAP

TERMODYNAMIC STEAM TRAP



HEAD OFFICE - FACTORY

Atatürk Sanayi Bölgesi Hadımköy Mahallesi Mustafa İnan Caddesi No: 44 Arnavutköy - İSTANBUL
Tel: +90 212 771 01 45 (pbx) | Fax: +90 212 771 47 27
info@ayvaz.com | www.ayvaz.com

Cona Caserta/Italy

Tel: +39 0823 187 3988
rmolaro@ayvaz.com

Ayvaz Germany Viernheim/Germany

Tel: +49 62046014399
germany@ayvaz.com

Ayvaz Ukraine Kiev/Ukraine

Tel: +380 44 390 57 57
info@ayvaz.com.ua

Tricorr Warsaw/Poland

Tel: +48 530 030 810
+48 533 603 335
tricorr@tricorr.eu

Ayvaz Azerbaijan Baku/Azerbaijan

Tel: +99 (455) 579-84-32
ahayatov@ayvaz.com

Ayvaz Egypt Cairo/Egypt

Tel: +20 122 819 78 29
andrew.eid@ayvaz.com

Ayvaz Gulf Dubai/U.A.E

Tel: +971 563550822
+971 501306871
mideast@ayvaz.com

Ayvaz China Ningbo/China

Tel: +86 152 5830 7361
msahin@ayvaz.com

Ayvaz Kazakhstan LLP Almaty/Kazakhstan

Tel: +7 (727) 327 97 57
info_kz@ayvaz.com

Ayvaz N Ispirih/Bulgaria

Tel: +359 8431 27 32
office@ayvaz-n.eu

Ayvaz Serbia Belgrade/Serbia

Tel: +381 61 658 70 52
yakbiyik@ayvaz.com

Ayvaz Vietnam HCMC/Vietnam

Tel: +84 89 8508345

Ayvaz Americas Rhode Island/USA

Tel: +1 401 737 8380
americas@ayvaz.com