

SK-80

FLOAT TYPE STEAM TRAP

GENERAL FEATURES

SK 80 Float Steam Trap is used for discharging the condensate by a mechanical float system. When the system starts up, thermostatic air vent is activated and discharges the air in the system. After this process, incoming steam will close the air vent. However when condensate reaches the steam trap, the float rises and opens the main valve and discharges the condensate. As soon as the condensate discharge is completed and the steam reached into the trap, the float goes down and closes the valve.

Installation:

SK-80 can be installed horizontally from right to the left or opposite way. If it is not indicated differently in the order sheet, it will be assumed.

Product Features:

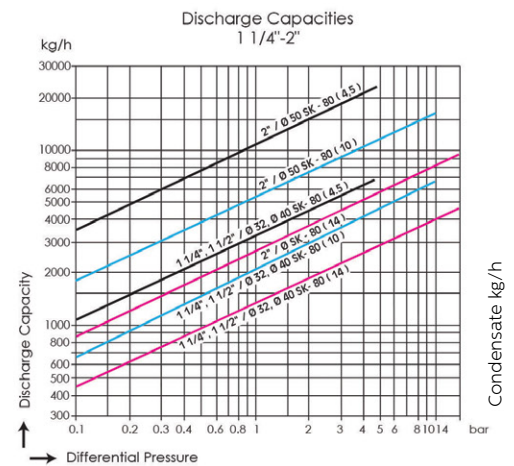
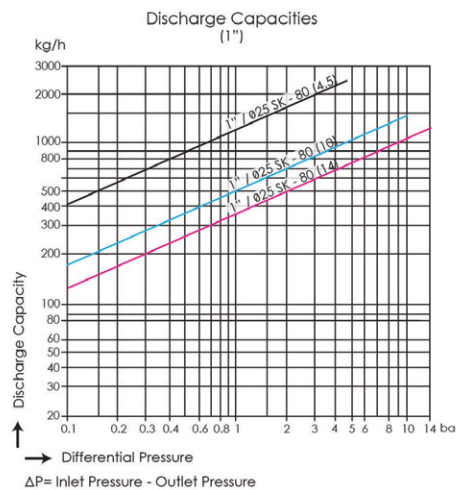
Body: Ductile Iron GGG 40.3

Cover: Ductile Iron GGG 40.3

Internals and float:

Stainless Steel AISI 304

Connection: Flanged



Discharge Chart:

Red Chart : $\Delta p = 14$ bar

Blue Chart : $\Delta p = 10$ bar

Black Chart : $\Delta p = 4.5$ bar

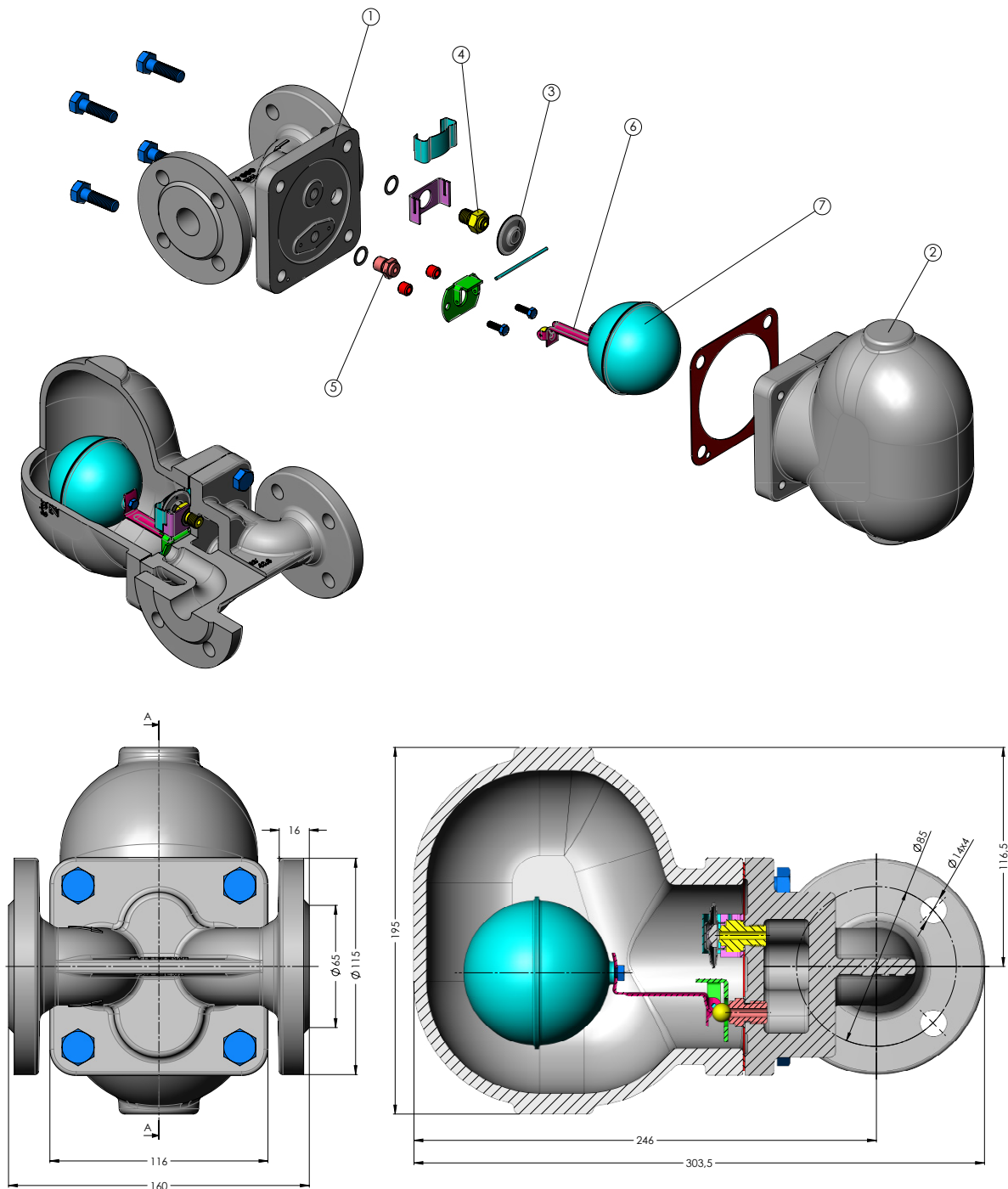
OPERATING CONDITIONS	
Max. Operating Pressure	16 bar
Max. Differential Pressure (ΔP)	4.5-10-14 bar
Max. Operating Temperature	250 °C



* Please ask to our sales team for different pressures and diameters.

SK-80 FLOAT TYPE STEAM TRAP

DN25 TECHNICAL SPECIFICATIONS

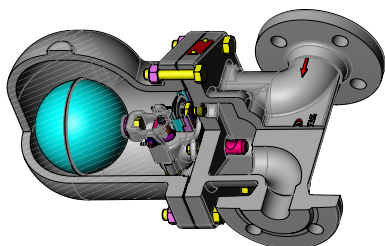
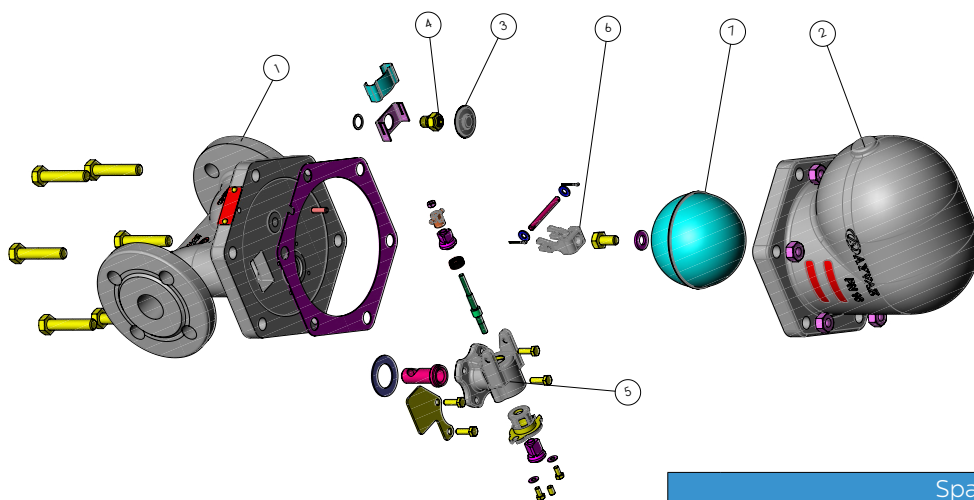


SPARE PARTS		
No	Part Name	Material
1	Body	GGG 40.3
2	Cover	GGG 40.3
3	Thermostatic Capsule	Stainless Steel
4	Capsule Seat	AISI 304 Stainless Steel
5	Float Seat	AISI 304 Stainless Steel
6	Float Lever	AISI 304 Stainless Steel
7	Float	AISI 304 Stainless Steel

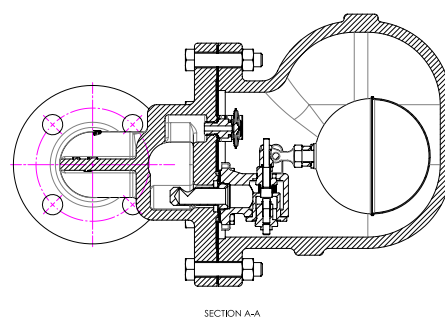
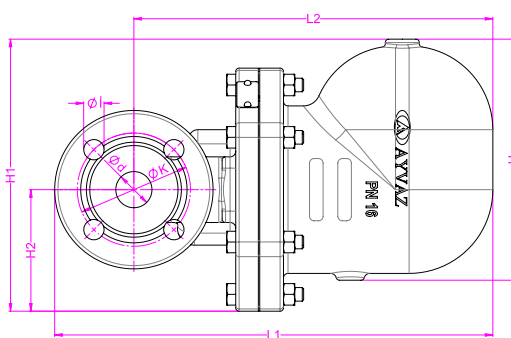
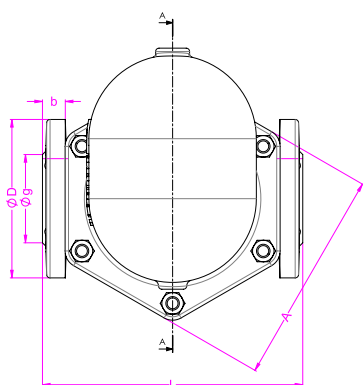
All dimensions are given in mm.

SK-80 FLOAT TYPE STEAM TRAP

DN32-40-50 TTECHNICAL SPECIFICATIONS



Spare Parts		
No	Part Name	Materials
1	Body	GGG 40.3
2	Cover	GGG 40.3
3	Thermostatic Capsule	Stainless Steel
4	Capsule Seat	AISI 304 Stainless Steel
5	Valve	Stainless Steel
6	Float Lever	AISI 304 Stainless Steel
7	Float	AISI 304 Stainless Steel



Dia.	ØD	Øk	Øg	Øb	Ø lxn	A	H1	H2	H	L1	L2	L
32	140	100	78	20	18x4	190	241	108	213	388	318	230
40	150	110	88	20	18x4	190	241	108	213	393	318	230
50	165	125	102	22	18x4	220	262	124	230	417	335	230

All dimensions are given in mm.

SK-80 FLOAT TYPE STEAM TRAP

SK-80 FLOAT TYPE STEAM TRAP



HEAD OFFICE - FACTORY

Atatürk Sanayi Bölgesi Hadımköy Mahallesi Mustafa İnan Caddesi No: 44 Arnavutköy - İSTANBUL
Tel: +90 212 771 01 45 (pbx) | Fax: +90 212 771 47 27
info@ayvaz.com | www.ayvaz.com

Cona Caserta/Italy

Tel: +39 0823 187 3988
rmolaro@ayvaz.com

Ayvaz Germany Viernheim/Germany

Tel: +49 62046014399
germany@ayvaz.com

Ayvaz Ukraine Kiev/Ukraine

Tel: +380 44 390 57 57
info@ayvaz.com.ua

Tricorr Warsaw/Poland

Tel: +48 530 030 810
+48 533 603 335
tricorr@tricorr.eu

Ayvaz Azerbaijan Baku/Azerbaijan

Tel: +99 (455) 579-84-32
ahayatov@ayvaz.com

Ayvaz Egypt Cairo/Egypt

Tel: +20 122 819 78 29
andrew.eid@ayvaz.com

Ayvaz Gulf Dubai/U.A.E

Tel: +971 563550822
+971 501306871
mideast@ayvaz.com

Ayvaz China Ningbo/China

Tel: +86 152 5830 7361
msahin@ayvaz.com

Ayvaz Kazakhstan LLP Almaty/Kazakhstan

Tel: +7 (727) 327 97 57
info_kz@ayvaz.com

Ayvaz N Ispirih/Bulgaria

Tel: +359 8431 27 32
office@ayvaz-n.eu

Ayvaz Serbia Belgrade/Serbia

Tel: +381 61 658 70 52
yakbiyik@ayvaz.com

Ayvaz Vietnam HCMC/Vietnam

Tel: +84 89 8508345

Ayvaz Americas Rhode Island/USA

Tel: +1 401 737 8380
americas@ayvaz.com