



SK-51 SLR

FLOAT TYPE STEAM TRAP WITH AIR VENT STEAM LOCK RELEASER

GENERAL FEATURES

Steam locks the steam trap, when the steam may move to steam trap before condensate. The steam is bypassed by the help of the needle valve on the SK-51 SLR, and the condensate is evacuated.

The evacuation duty carries the float and the air evacuation is carried out by the thermostatic capsule inside the body. Thus, in the pipeline, water hammer prevented because of the accumulation of air. At the same time, if the float loses its function for any reason, the thermostatic capsule enters the circuit to continue the condensate discharge and prevents the system from becoming blocked

Product Material:

Body and Cover: GGG 40.3 Ductile Iron

Inner Parts: AISI304 Stainless Steel

5^]] TRbX^]:
Threaded and Flanged

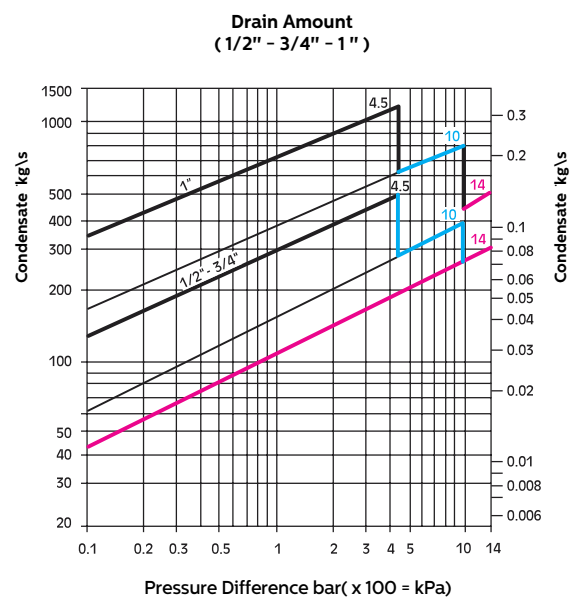
Nominal 6Pž
DN15 (1/2") – DN25 (1")

BaT@caT,
Max. 10 bar

G ^azX VDT\ _TaPcaT,
Max. Working Temp. 250 °C

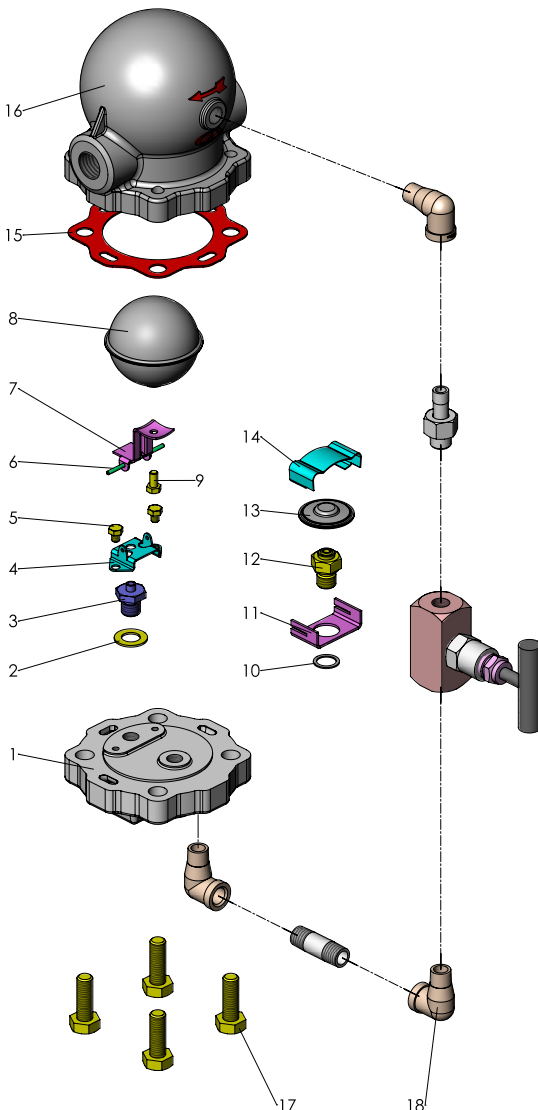
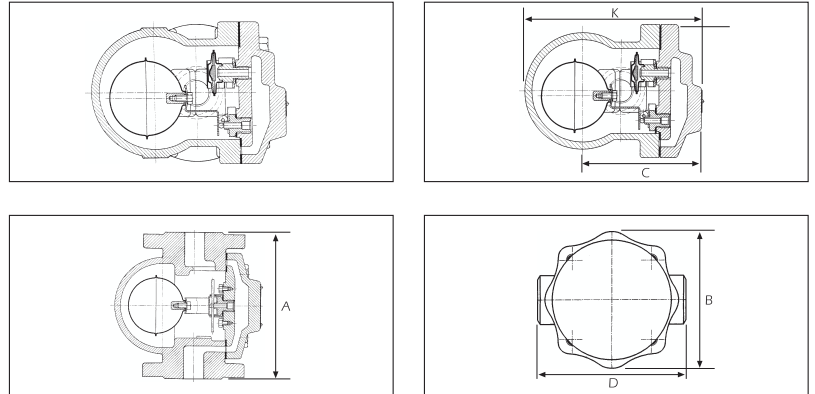
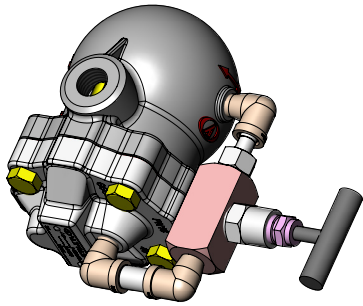
3_ [RPbX^] '3aTP@

- Rotating Cylinders
- Corrugated Cardboard
- Paper factories



Red Curve Blue Curve Black Curve
 Δp= 14 bar Δp= 10 bar Δp= 4,5 bar

SK-51 SLR FLOAT TYPE STEAM TRAP WITH AIR VENT STEAM LOCK RELEASER



Dia.	DIMENSIONS (mm)				
	A	K	B	C	D
15	150	150	108	68	122
20	150	150	108	68	122
25	160	167	108	107	145

SPARE PARTS		
No	PART NAME	MATERIAL
1	Cover	GGG 40.3 Ductile Iron
2	Float Seat Gasket	AISI 304 Stainless Steel
3	Float Seat	AISI 304 Stainless Steel
4	Float Arm Bearing	AISI 304 Stainless Steel
5	A.K.B. Bolt	AISI 304 Stainless Steel
6	Float Connection Steam	AISI 304 Stainless Steel
7	Float Arm	AISI 304 Stainless Steel
8	Float	AISI 304 Stainless Steel
9	A.K.B. Bolt	AISI 304 Stainless Steel
10	Seat Gasket	AISI 304 Stainless Steel
11	Thermostatic Element Bottom Part	AISI 304 Stainless Steel
12	Thermostatic Element Seat	AISI 304 Stainless Steel
13	Thermostatic Element	
14	Thermostatic Element Top Part	Spring Steel
15	Cover Gasket	Klingerit
16	Body	GGG 40.3 Ductile Iron
17	A.K.B. Bolt	8.8
18	By-Pass Valve Group	AISI 304 Stainless Steel



HEAD OFFICE - FACTORY

Atatürk Sanayi Bölgesi Hadımköy Mahallesi Mustafa İnan Caddesi No: 44 Arnavutköy - İSTANBUL
 Tel: +90 212 771 01 45 (pbx) | Fax: +90 212 771 47 27
 info@ayvaz.com | www.ayvaz.com

Cona
Caserta/Italy
 Tel: +39 0823 187 3988
 rmlaro@ayvaz.com

Ayvaz Germany
Viernheim/Germany
 Tel: +49 62046014399
 germany@ayvaz.com

Ayvaz Ukraine
Kiev/Ukraine
 Tel: +380 44 390 57 57
 info@ayvaz.com.ua

Tricorr
Warsaw/Poland
 Tel: +48 530 030 810
 +48 533 603 335
 tricorr@tricorr.eu

Ayvaz Azerbaijan
Baku/Azerbaijan
 Tel: +99 (455) 579-84-32
 ahayatov@ayvaz.com

Ayvaz Egypt
Cairo/Egypt
 Tel: +20 122 819 78 29
 andrew.eid@ayvaz.com

Ayvaz Gulf
Dubai/U.A.E
 Tel: +971 563550822
 +971 501306871
 mideast@ayvaz.com

Ayvaz China
Ningbo/China
 Tel: +86 152 5830 7361
 msahin@ayvaz.com

Ayvaz Kazakhstan LLP
Almaty/Kazakhstan
 Tel: +7 (727) 327 97 57
 info_kz@ayvaz.com

Ayvaz N
Ispirih/Bulgaria
 Tel: +359 843127 32
 office@ayvaz-n.eu

Ayvaz Serbia
Belgrade/Serbia
 Tel: +381 61 658 70 52
 yakbiyik@ayvaz.com

Ayvaz Vietnam
HCMC/Vietnam
 ggursoy@ayvaz.com
 Tel: +84 89 8508345

Ayvaz Americas
Rhode Island/USA
 Tel: +1 401 737 8380
 americas@ayvaz.com