

MBK-40

MONOBLOCK VALVE FLOW LIQUIDS

GENERAL FEATURES

Damage to the sealing surfaces can occur for the following reasons:

- During closing time, due to solid particles are trapped between the ball and ring cause scrating on the surface of ball and/or seat.
- Corrosion in seat rings
- Deformation of the seat ring due to overheating.

When opening and closing the valve, apply force in the direction of the arrow indicated on the arm. Do not continue to apply force when the arm is compliant with the stopper pin. If the valve does not open and close with a suitable shut-off torque, do not force the valve using a jimmy or similar device to increase the shut-off torque. This can increase irreparable damage to the valve parts.

Attention:

Avoid physical intervention from the outside to the valve body without precautions for accidental closure.

Avoid sudden rapid on-offs to prevent the formation of water hammer in ball valves.

Important

Open and close the valve once a week with the aim of preventing the formation of lime and sediment layer which may form on the surface of the sphere when the valve should wait for a long time in closed position in the installation.

Advantages

- Lightweight - Monoblock Design
- Short Flange Distance
- Space-Saving
- Easy Installation
- Universal Application

Installation:

Can be install in every direction.

Application Areas:

- On cold-hot water pipelines
- Natural gas, LPG-LNG, Fuel-Oil
- Compressed Air
- Ship manufacturing sector
- Storage facilities

TECHNICAL SPECIFICATION

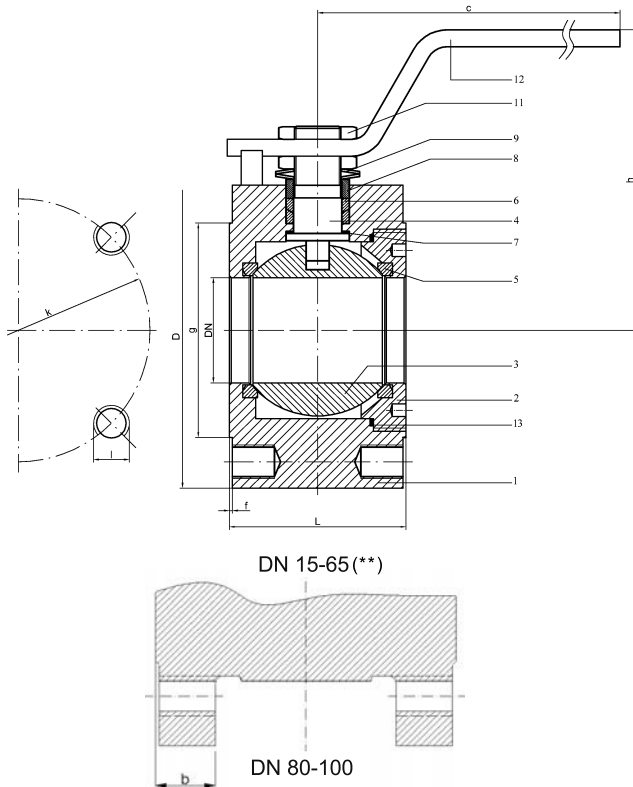
Connection Type	Flanged
Gasket	EPDM
Temp. Range	-40/+110°C
Pressure Class	PN40

DIMENSIONS (mm)

Dia.(DN)	15	20	25	32	40
	50	65	80	100	

Factor	RISK	SOLUTION
Maximum and minimum temp.	Exceeding the temperature limits	The end user should avoid exceeding the limit specified in the use and maintenance manual.
Corrosion	Leak as a result of corrosion on the sealing surfaces. Decrease in working life.	Avoid process fluids containing corrosive particle and wastes which cam damage the valve sealing.
Shock	Breaking	This should be avoided or prevented by the end user. Steamtraps must be installed where necessary to prevent the water hammer.
	Damage to pressurized parts due to water hammer.	
Thermal Shock	Different thermal expansion	This should be avoided or prevented by the end user.

MBK-40 MONOBLOCK VALVE FLOW LIQUIDS



Parts		Material	
1	Body	Carbon Steel	AISI 316 SS
2	Cover	Carbon Steel	AISI 316 SS
3	Ball	1.4301/1.4086 Stainless Steel	AISI 316 SS
4	Handle Stem	1.4104 SS	AISI 316 SS
5	Seal Ring	PTFE	PTFE
6	Sealing Ring(*)	PTFE	PTFE
7	Friction Ring	PTFE	PTFE
8	Pressure Ring	St 37	AISI 316
9	Disc Spring	Ck 70	AISI 316
10	Stopper Pin	St 37	AISI 316
11	Nut	5	AISI 316
12	Handle	St 42	St 42
13	Cover Ring(*)	PTFE	PTFE

Dia.	Valve Dimensions				Flange Dimensions						Weight PN 40 Kg
					PN40						
DN	D	L	h	c	b	k	l	n	g	f	
15	88	36	81	135	-	65	M12	4	46	2	1,4
20	105	39	95	160	-	75	M12	4	56	2	2,35
25	108	43	100	160	-	85	M12	4	65	2	2,55
32	128	57	128	200	-	100	M16	4	76	2	4,65
40	138	67	135	200	-	110	M16	4	84	2	6,2
50	150	84	135	285	-	125	M16	4	99	2	9,45
65	178	105	145	285	-	145	M16	8	118	2	16,1
80	200	120	178	410	24	160	M16	8	132	2	26,5
100	235	150	192	410	24	190	M20	8	156	2	43,5



HEAD OFFICE - FACTORY

Atatürk Sanayi Bölgesi Hadımköy Mahallesi Mustafa İnan Caddesi No: 44 Arnavutköy - İSTANBUL
 Tel: +90 212 771 01 45 (pbx) | Fax: +90 212 771 47 27
 info@ayvaz.com | www.ayvaz.com

Cona
Caserta/Italy
 Tel: +39 0823 187 3988
 rmolaro@ayvaz.com

Ayvaz Germany
Viernheim/Germany
 Tel: +49 62046014399
 germany@ayvaz.com

Ayvaz Ukraine
Kiev/Ukraine
 Tel: +380 44 390 57 57
 info@ayvaz.com.ua

Tricorr
Warsaw/Poland
 Tel: +48 530 030 810
 +48 533 603 335
 tricorr@tricorr.eu

Ayvaz Azerbaijan
Baku/Azerbaijan
 Tel: +99 (455) 579-84-32
 ahayatov@ayvaz.com

Ayvaz Egypt
Cairo/Egypt
 Tel: +20 122 819 78 29
 andrew.eid@ayvaz.com

Ayvaz Gulf
Dubai/U.A.E
 Tel: +971 563550822
 +971 501306871
 mideast@ayvaz.com

Ayvaz China
Ningbo/China
 Tel: +86 152 5830 7361
 msahin@ayvaz.com

Ayvaz Kazakhstan LLP
Almaty/Kazakhstan
 Tel: +7 (727) 327 97 57
 info_kz@ayvaz.com

Ayvaz N
İsperih/Bulgaria
 Tel: +359 8431 27 32
 office@ayvaz-n.eu

Ayvaz Serbia
Belgrade/Serbia
 Tel: +381 61 658 70 52
 yakbiyik@ayvaz.com

Ayvaz Vietnam
HCMC/Vietnam
 Tel: +84 89 8508345

Ayvaz Americas
Rhode Island/USA
 Tel: +1 401 737 8380
 americas@ayvaz.com