

BK-33 SK

FLOAT TYPE STEAM TRAP STATION

GENERAL FEATURES

AYVAZ BK-33 SK set as standard; It is a maintenance-free float steam trap made of stainless steel material. It is designed according to the maximum usage pressure of 32 bar.

In steam lines, it is used at line separations or at the end of the line. It can be mounted in any position. Used with BK-33 steam trap station; BK-33 Trap Station; BK-33 TD (Thermodynamic), BK-33 TK (Thermostatic), BK-33 SK (With Float) and BK-33 BM (Bimetallic) traps. BK-33 Trap Station has two stop valves that cut off the connection downstream. Stop valves are piston type. Optional test relief valves are available for pipe connector, piping draining and trap testing.

Applications

- Dryers
- Press
- Steam Jackets in Trace Lines
- Irons

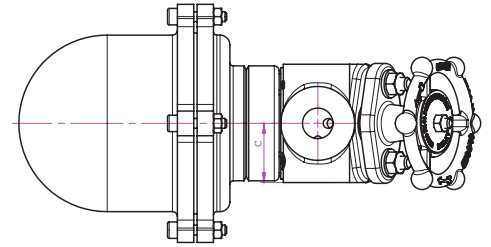
CONNECTION TYPE	
Threaded	NPT acc. To ANSI B1 20.1 BSP acc. To BS21
Socket	ANSI B 16.11

WORKING CONDITIONS	
Max Pressure	50 bar
Max Temperature	315 °C
Max Working Pressure	32 bar
Max Working Temp.	400 °C

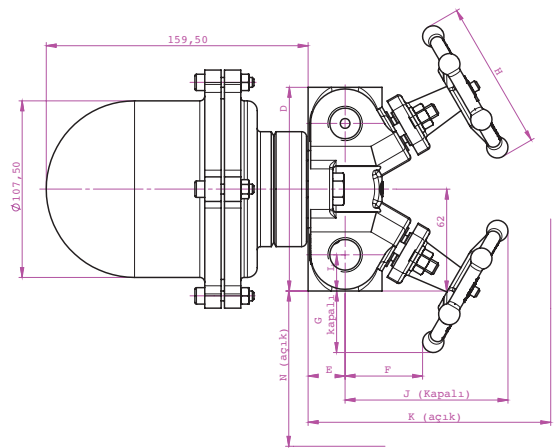
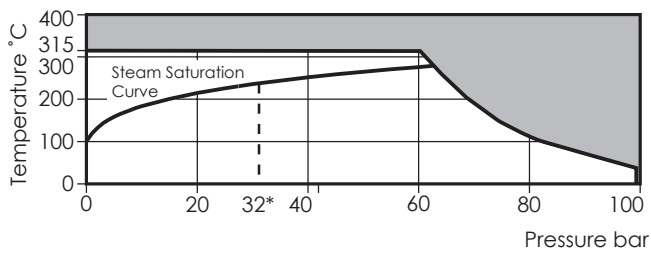
SIZE	
mm	inç
15 - 20	1/2" - 3/4"

BK-33 SK FLOAT TYPE STEAM TRAP STATION

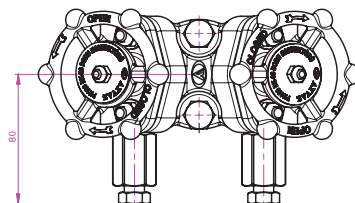
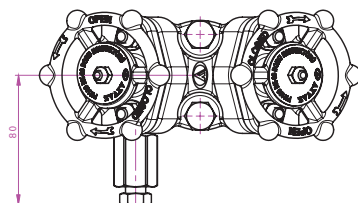
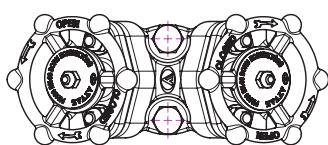
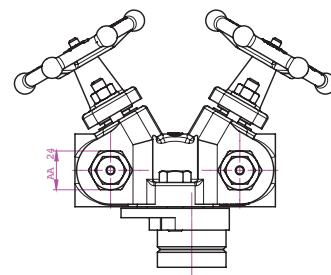
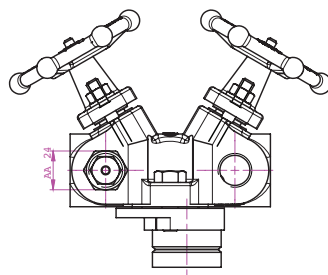
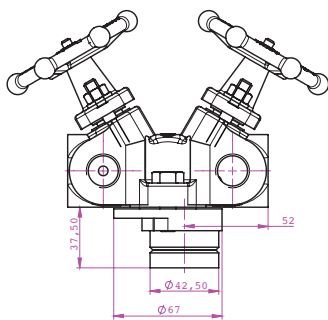
VARIANTS		
Type	Flow Direction	Description
BK-33SK	Left to Right	2 stop valve + station +Bimetallic Steam trap
BK-43SK	Left to Right	2 stop valve + station +Bimetallic Steam trap +Drain Valve
BK-53SK	Left to Right	2 stop valve + station +Bimetallic Steam trap +Drain Valve +Test Valve
BK-54SK	Right to Left	2 stop valve + station +Bimetallic Steam trap +Drain Valve + Test Valve



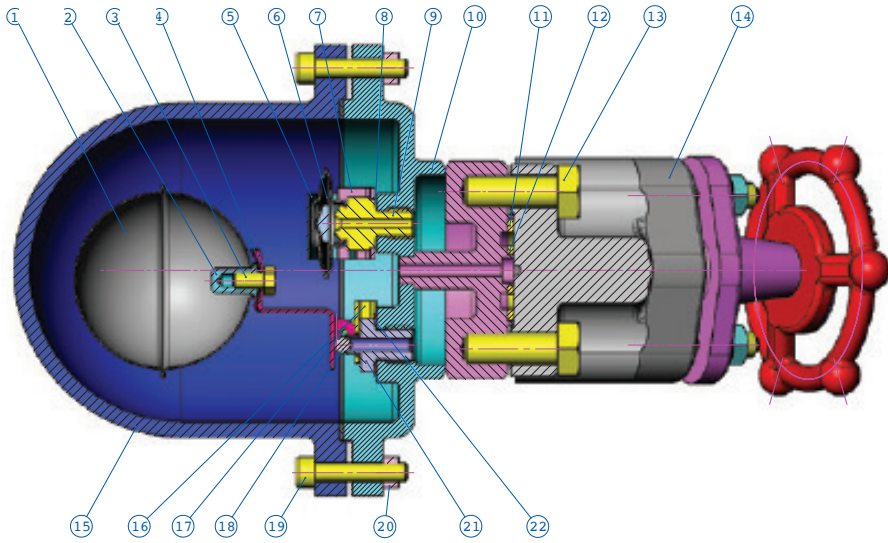
Pressure / Temperature Limits



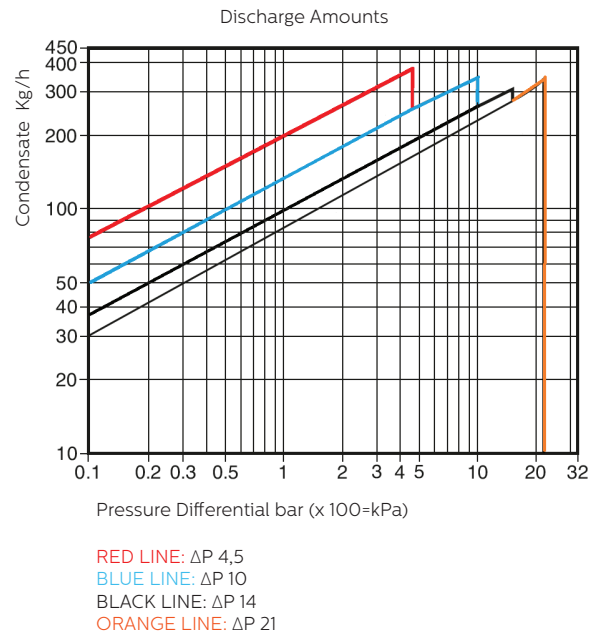
Dimensions (mm) / Weight (kg)										
C	D	E	F	G	H	J	K	L	N	Weight
36	125	25	50	35	90	99	115	22	50	3,25



BK-33 SK FLOAT TYPE STEAM TRAP STATION



PART LIST		
No	Part Name	Material
1	Float	AISI 304 Stainless Steel
2	Float Joint	AISI 304 Stainless Steel
3	A.K.B Bolt	AISI 304 Stainless Steel
4	Float Lever	AISI 304 Stainless Steel
5	Thermostatic Unit Part 1	AISI 304 Stainless Steel
6	Thermostatic Unit	AISI 304 Stainless Steel
7	Thermostatic Unit Part 2	AISI 304 Stainless Steel
8	Thermostatic Unit Seat Gasket	AISI 304 Stainless Steel
9	Thermostatic Unit Seat	AISI 304 Stainless Steel
10	Body	AISI 304 Cast
11	Sealing Ring	Graphite - Stainless Steel
12	Sealing Ring	Graphite - Stainless Steel
13	A.K.B Bolt	8,8
14	Pipe Connector	
15	Float Cover	AISI 304 Stainless Steel
16	Float Lever Seat	AISI 304 Stainless Steel
17	Float Stem	AISI 304 Stainless Steel
18	Sphere	AISI 440 C
19	Imbus Bolt	8,8
20	A.K.B Nut	8
21	Float Seat	AISI 304 Stainless Steel
22	Float Seat Gasket	AISI 304 Stainless Steel





HEAD OFFICE - MAIN FACTORY

Atatürk Sanayi Bölgesi Hadımköy Mahallesi
Mustafa İnan Caddesi No: 44 Arnavutköy - İstanbul
Tel: +90 212 771 01 45 (pbx) | Fax: +90 212 771 47 27
info@ayvaz.com | www.ayvaz.com



Cona
Caserta / Italy
Tel : +39 0823 187 3988
rmolaro@ayvaz.com



Ayvaz Ukraine
Kiev / Ukraine
Tel : +380 44 390 57 57
info@ayvaz.com.ua



Tricorr
Warsaw / Poland
Tel : +48 530 030 810
tricorr@tricorr.eu



Ayvaz Germany
Viernheim / Germany
Tel : +49 62046014399
germany@ayvaz.com



Ayvaz Serbia
Belgrade / Serbia
Tel : +381 61 658 70 52
yakbiyik@ayvaz.com



Ayvaz Azerbaijan
Baku / Azerbaijan
Tel : +99(455)579-84-32
ahayatov@ayvaz.com



Ayvaz Kazakhstan LLP
Almaty / Kazakhstan
Tel : +7 (727) 327 97 57
www.ayvaz.kz



Ayvaz N
Isperih / Bulgaria
Tel : +359 8431 27 32
office@ayvaz-n.eu



Ayvaz Vietnam
HCMC / Vietnam
Tel : +84 89 8508345
ggursoy@ayvaz.com



Ayvaz China
Ningbo / China
Tel : +86 152 5830 7361
msahin@ayvaz.com



Ayvaz Egypt
Cairo / Egypt
Tel : +20 122 819 78 29
andrew.eid@ayvaz.com



Ayvaz Gulf
Dubai / U.A.E.
Tel : +971 563550822
+971 501306871
mideast@ayvaz.com



Ayvaz Americas
Rhode Island
Tel : +1 401 737 8380
americas@ayvaz.com