

BK-33 BM

BIMETALLIC STEAM TRAP STATION

GENERAL FEATURES

AYVAZ BK-33 BM set as standard; It is a maintenance-free bimetallic steam trap made of stainless steel material. It is designed according to the maximum usage pressure of 32 bar. In steam lines, It is used at line separations or at the end of the line. It can be mounted in any position. Used with BK-33 steam trap station. BK-33 Trap Station; BK-33 TD (Thermodynamic), BK-33 TK (Thermostatic), BK-33 SK (With Float) and BK-33 BM (Bimetallic) traps. BK-33 Trap Station has two stop valves that cut off the connection downstream. Stop valves are piston type. Optional test relief valves are available for pipe connector, piping draining and trap testing.

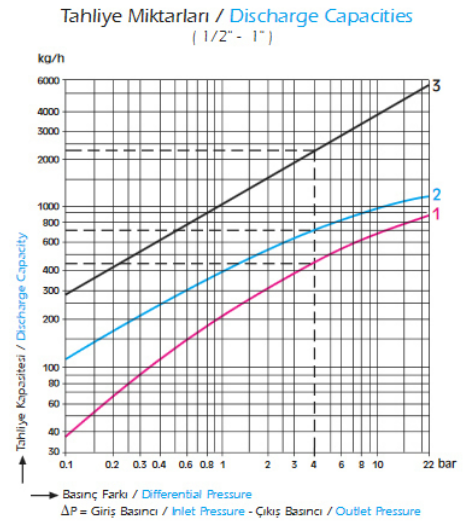
Applications

- Dryers
- Press
- Steam jackets in trace lines
- Irons

CONNECTION TYPE	
Threaded	NPT acc. To ANSI B1 20.1 BSP acc. To BS21
Socket	ANSI B 16.11

WORKING CONDITIONS	
Max Pressure	50 bar
Max Temperature	450 °C
Max Working Pressure	32 bar
Max Working Temp.	400 °C

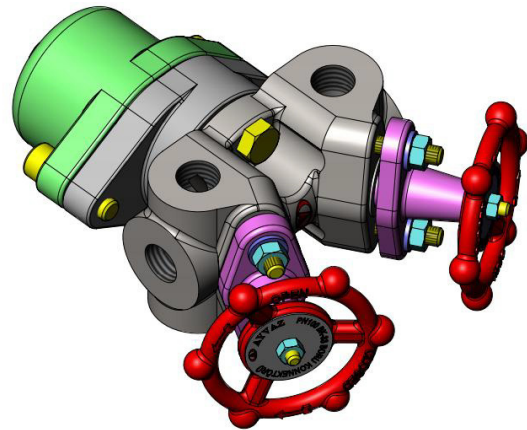
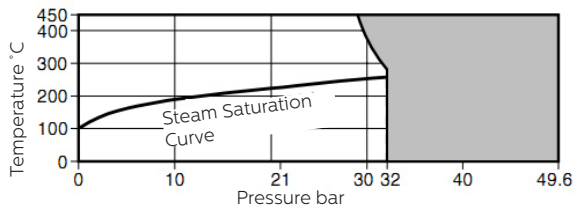
SIZE	
mm	inç
15 - 20	1/2" - 3/4"



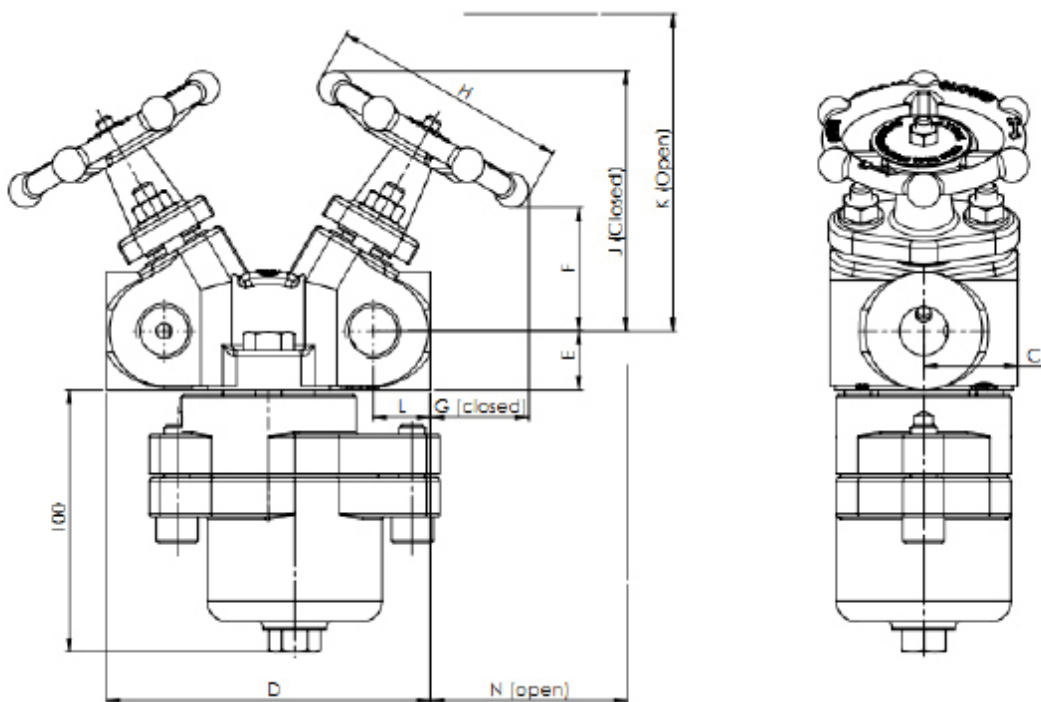
BK-33BM BIMETALLIC STEAM TRAP STATION

VARIANTS		
Type	Flow Direction	Description
BK-33BM	Soldan Sağa	2 stop valve + station +Bimetallic Steam trap
BK-43BM	Soldan Sağa	2 stop valve + station +Bimetallic Steam trap +Drain Valve
BK-53BM	Soldan Sağa	2 stop valve + station +Bimetallic Steam trap +Drain Valve +Test Valve
BK-54BM	Sağdan Sola	2 stop valve + station +Bimetallic Steam trap +Drain Valve + Test Valve

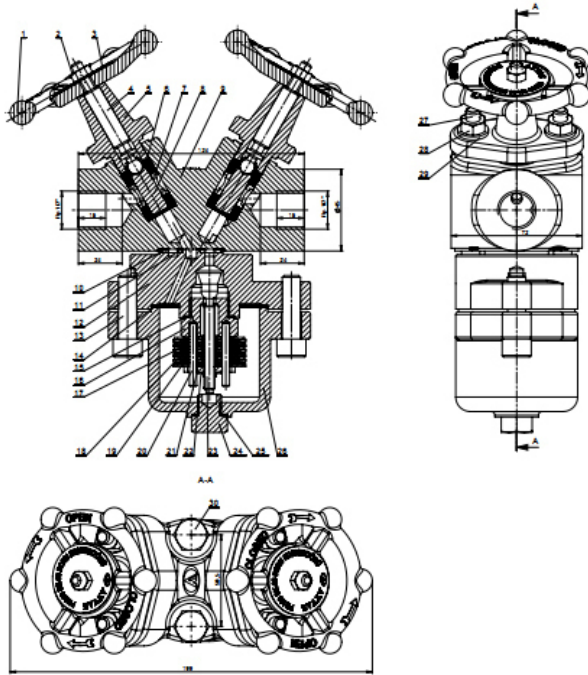
Pressure /Temperature Limits



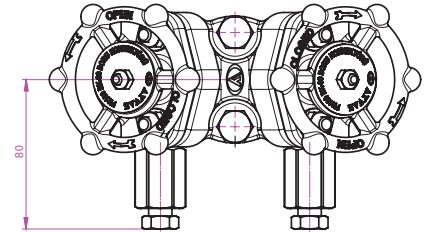
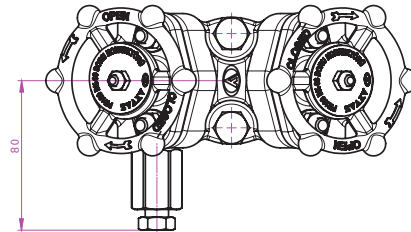
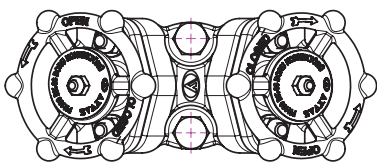
Size (mm) / Weight (kg)										
C	D	E	F	G	H	J	K	L	N	Ağırlık
36	125	25	50	35	90	99	115	22	50	3,25



BK-33BM BIMETALLIC STEAM TRAP STATION



PART LIST		
No	Part Name	Material
1	Volan	C 22.8
2	A.K.B Nut	8
3	Label	AISI 304
4	Stem -A	AISI 304
5	Cover	C 22.8
6	Stem Gasket	Graphite
7	Washer	St 37.2
8	Stem -B	AISI 304
9	Body	AISI 304L
10	Big Gasket	Pure Graphite + Stainless Steel
11	Small Gasket	Pure Graphite + Stainless Steel
12	Trap Body	AISI304L Forged
13	Imbus Bolt	8,8
14	Cover Gasket	Klingerit
15	Seat Gasket	AISI 304
16	Seat	AISI 304
17	Bimetallic Plate Part	AISI 304
18	Bimetallic Plate (Small)	AISI 304
19	Bimetallic Plate (Big)	AISI 304
20	Bimetallic Plate Stem	AISI 304
21	Adj. Bolt Stem	AISI 304
22	Bolt Lock	AISI 304
23	Control Unit Cap	AISI 304
24	Cover Cap	
25	Cover Gasket	AISI 304
26	Trap Cover	AISI304L Forged
27	Seal	AISI 304
28	A.K.B Nut	8
29	Pin	
30	A.K.B Bolt	8,8





HEAD OFFICE - MAIN FACTORY

Atatürk Sanayi Bölgesi Hadımköy Mahallesi
Mustafa İnan Caddesi No: 44 Arnavutköy - İstanbul
Tel: +90 212 771 01 45 (pbx) | Fax: +90 212 771 47 27
info@ayvaz.com | www.ayvaz.com



Cona
Caserta / Italy
Tel : +39 0823 187 3988
rmolaro@ayvaz.com



Ayvaz Ukraine
Kiev / Ukraine
Tel : +380 44 390 57 57
info@ayvaz.com.ua



Tricorr
Warsaw / Poland
Tel : +48 530 030 810
tricorr@tricorr.eu



Ayvaz Germany
Viernheim / Germany
Tel : +49 62046014399
germany@ayvaz.com



Ayvaz Serbia
Belgrade / Serbia
Tel : +381 61 658 70 52
yakbiyik@ayvaz.com



Ayvaz Azerbaijan
Baku / Azerbaijan
Tel : +99(455)579-84-32
ahayatov@ayvaz.com



Ayvaz Kazakhstan LLP
Almaty / Kazakhstan
Tel : +7 (727) 327 97 57
www.ayvaz.kz



Ayvaz N
Isperih / Bulgaria
Tel : +359 8431 27 32
office@ayvaz-n.eu



Ayvaz Vietnam
HCMC / Vietnam
Tel : +84 89 8508345
ggursoy@ayvaz.com



Ayvaz China
Ningbo / China
Tel : +86 152 5830 7361
msahin@ayvaz.com



Ayvaz Egypt
Cairo / Egypt
Tel : +20 122 819 78 29
andrew.eid@ayvaz.com



Ayvaz Gulf
Dubai / U.A.E.
Tel : +971 563550822
+971 501306871
mideast@ayvaz.com



Ayvaz Americas
Rhode Island
Tel : +1 401 737 8380
americas@ayvaz.com