

# AU-22

## LEVEL SWITCH WITH ROD

### GENERAL FEATURES

Ayvaz AU-22 Level Controller is designed to control the liquid level in all pressurized or non-pressurized containers. As an element of intuition, a stainless steel float and reed switch with magnetic operation feature are placed in a stainless steel tube. Depending on the change in fluid level, the magnetic float that moves linearly along the tube stimulates the reed switch. The signal obtained by the reed switch being turned on or off is transmitted to the control panel and evaluated by the relay circuit.

It has a minimum density of 0.6g / cm<sup>3</sup> and a temperature of up to 150 ° C.

Up to 6 meters length can be manufactured. Top mounted AU-22 level control devices can be designed and manufactured to provide low / high level, pump start / stop signals that can be received at tank level automation.

#### Product Specifications

<b>Body</b>	:AISI 304 Stainless Steel (Opt. AISI316 and Extra Teflon Coated)
<b>Float</b>	: AISI316 (Opt. Extra Teflon Coated)
<b>Flange Material</b>	: Carbon Steel St37.2 / Stainless Steel

<b>Max. Working Temp.</b>	: -10°C / +125°C
<b>Max. Working Pressure</b>	: 16 bar
<b>Max. Switch Voltage</b>	: 400 VAC/DC
<b>Switch Capacity</b>	: 60 VA
<b>Switch Current</b>	: 1.0 VA
<b>Connection</b>	: Flanged / BSP or NPT Threaded Min. DN50 PN16 Flanged, Min. 2" Threaded
<b>Contact Type</b>	: N.O / N.C
<b>Contact Number</b>	: N.O 6 Max. / N.C 2 Max.
<b>Option</b>	: EX-PROOF
<b>Protection Class</b>	: IP68 (Probe) / IP66 (Elec. Box)
<b>Accessories</b>	: Double Control Panel
<b>Advantages</b>	

- Precise level control
- Both open and closed contact
- Long service life
- Sealing
- Continuous control
- Corrosion resistance of fluid contact zones

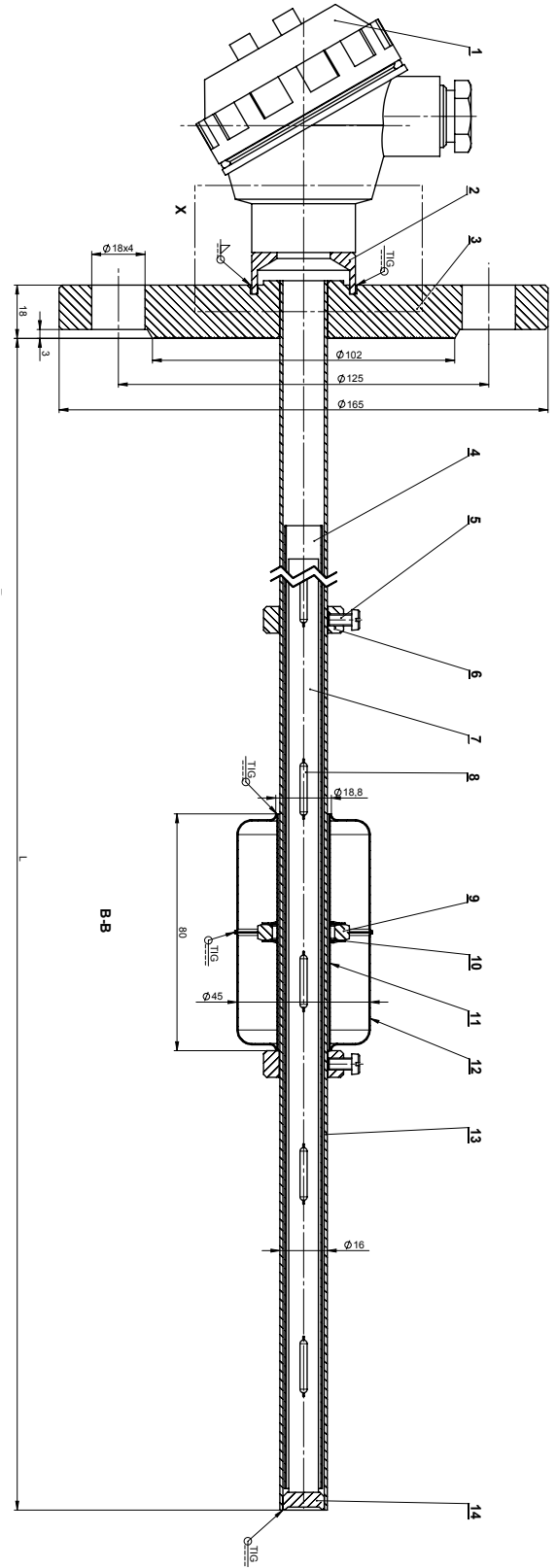
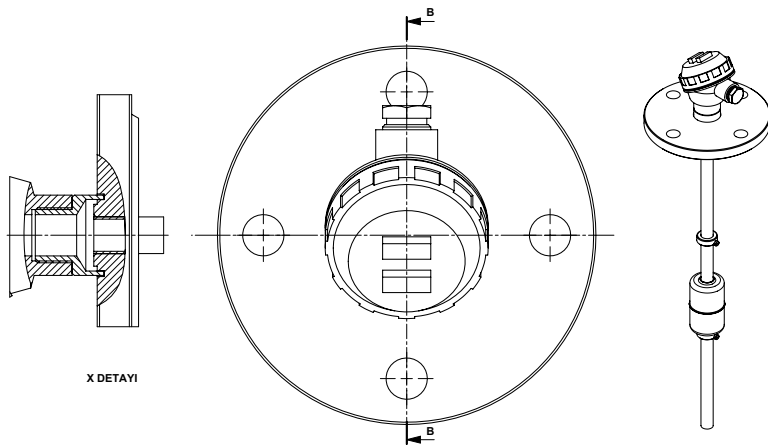
#### Application Areas

- Shipbuilding industry
- Waste / clean water tanks
- Food industry
- Acid tanks
- Chemical / petrochemical tanks



# AU-22 LEVEL SWITCH WITH ROD

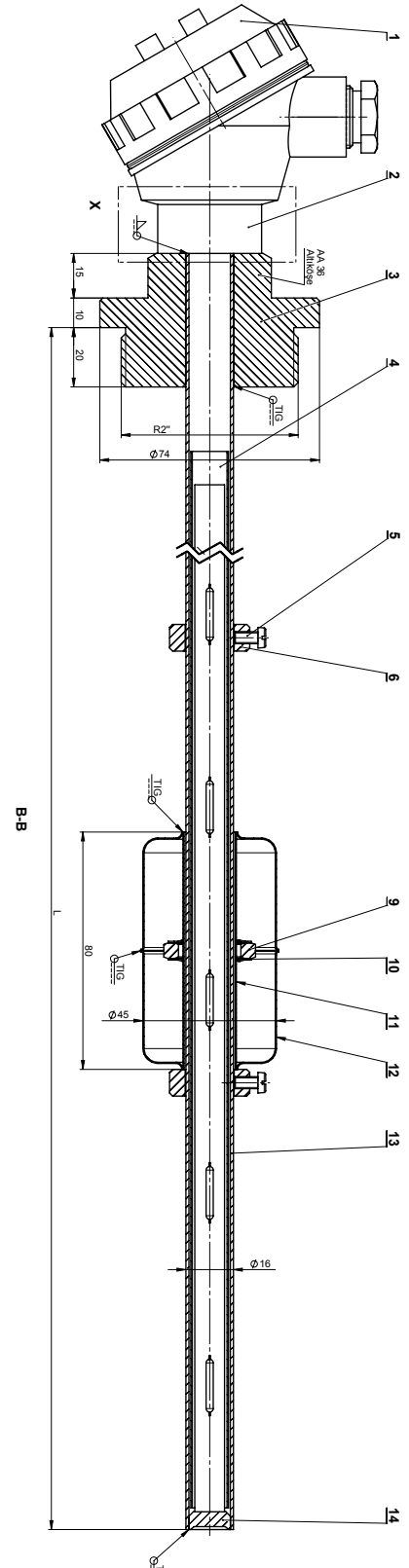
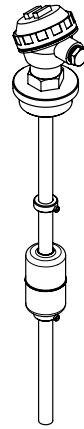
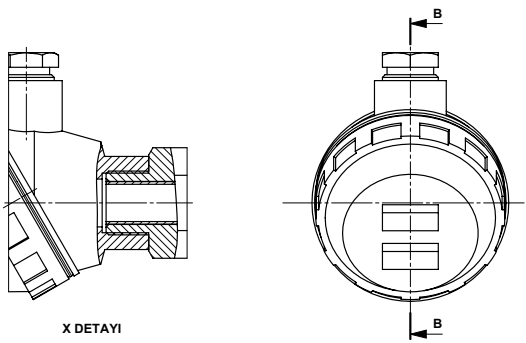
## FLANGED TYPE



DN50 PN16 FLANGED AU-22		
No	Part Name	Material List
1	Cover (B Type) / AU-22 EG-11	
2	Cover Adapter	AISI 304
3	Connection Flanged	
4	Tube	
5	Cylindrical Head Bolt	8.8
6	Level Adj. Clip	AISI 304
7	AU-22 Switch Array	
8	Switch	
9	Float Magenet	Magbet
10	Segment	Spring Steel
11	Float Tube	AISI 304
12	Float Cap	AISI 304
13	Level Tube	AISI 304
14	Stopper	AISI 304

# AU-22 LEVEL SWITCH WITH ROD

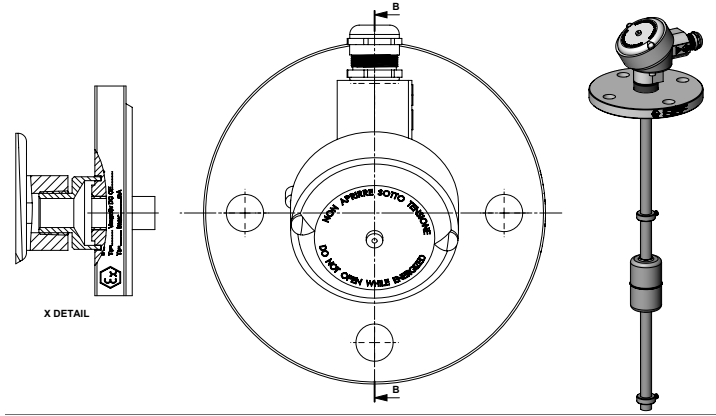
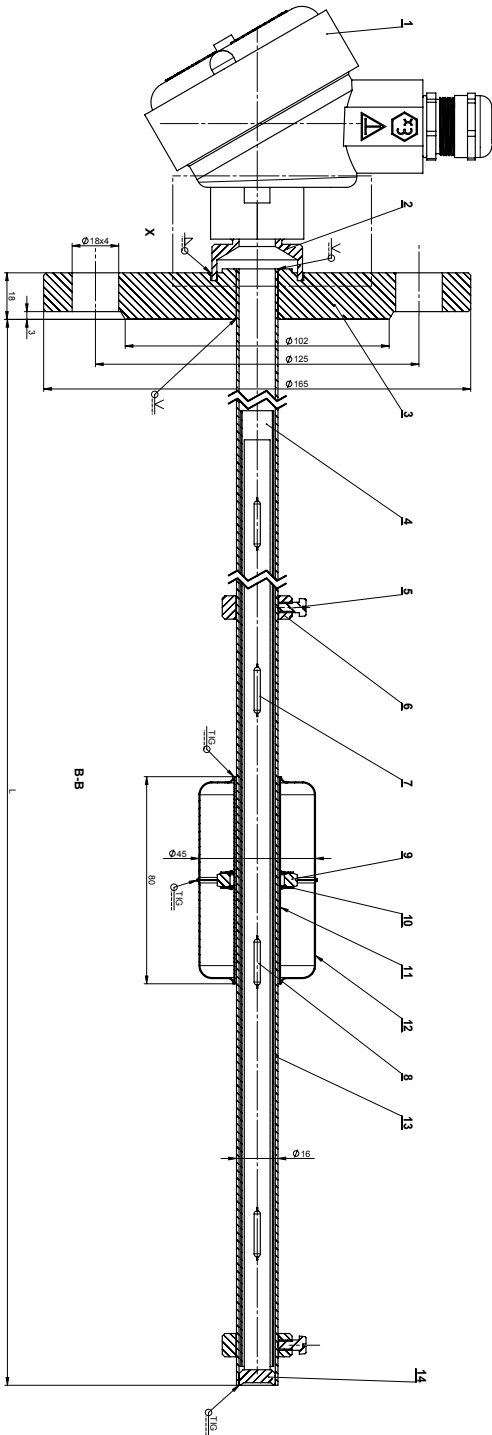
## THREADED TYPE



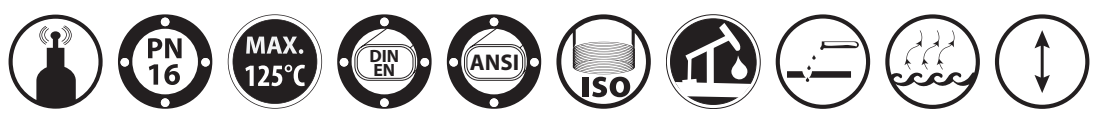
Threaded Connection AU-22		
No	Part Name	Material List
1	Cover (B Type) / AU-22 EG-11	
2	Cover Adapter	AISI 304
3	Connection Raccord	St 37.2
4	Tube	
5	Cylindrical Head Bolt	8.8
6	Level Adj. Clip	AISI 304
7	AU-22 Switch Array	
8	Switch	
9	Float Magenet	Magnet
10	Segment	Spring Steel
11	Float Tube	AISI 304
12	Float Cap	AISI 304
13	Level Tube	AISI 304
14	Stopper	AISI 304

# AU-22 LEVEL SWITCH WITH ROD

## EXPROOF TYPE



DN50 PN16 Flanged AU-22		
No	Part Name	Material List
1	Cover (B TIPI) / AU-22 EG-11	
2	Cover Adapter	
3	Connection Flange	
4	Tube	
5	Cylindrical Head Bolt	8.8
6	Level Adj. Clip	AISI 304
7	AU-22 Switch Array	
8	Switch	
9	Float Magnet	Magnet
10	Segment	Spring Steel
11	Float Tube	AISI 304
12	Float Cap	AISI 304
13	Level Tube	AISI 304
14	Stopper	AISI 304

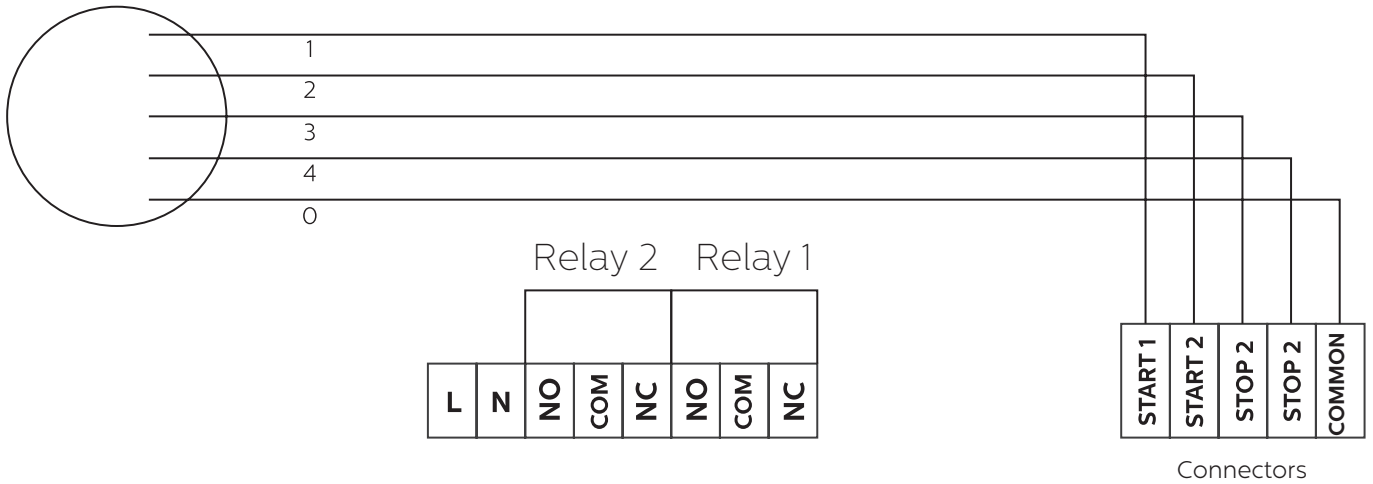


\* Please consult our sales team for different sizes, connections, pressures and applications.



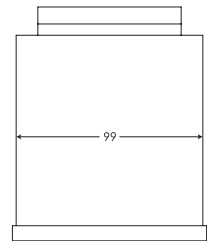
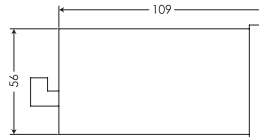
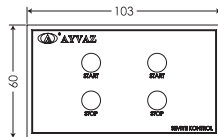
# AU-22 LEVEL SWITCH WITH ROD

## AU-22 ELECTRICAL CONNECTION SCHEME



### You are required to inform sales team during the order

1. Dipping length of the device
2. Number of desired contacts and locations
3. Fluid type (Oil, fuel, water)
4. Fluid temperature



### HEAD OFFICE - FACTORY

Atatürk Sanayi Bölgesi Hadımköy Mahallesi Mustafa İnan Caddesi No: 44 Arnavutköy - İSTANBUL  
 Tel: +90 212 771 01 45 (pbx) | Fax: +90 212 771 47 27  
 info@ayvaz.com | www.ayvaz.com

**Cona Caserta/Italy**  
 Tel: +39 0823 187 3988  
 rmlaro@ayvaz.com

**Ayvaz Germany Viernheim/Germany**  
 Tel: +49 62046014399  
 germany@ayvaz.com

**Ayvaz Ukraine Kiev/Ukraine**  
 Tel: +380 44 390 57 57  
 info@ayvaz.com.ua

**Tricorr Warsaw/Poland**  
 Tel: +48 530 030 810  
 +48 533 603 335  
 tricorr@tricorr.eu

**Ayvaz Azerbaijan Baku/Azerbaijan**  
 Tel: +99 (455) 579-84-32  
 ahayatov@ayvaz.com

**Ayvaz Egypt Cairo/Egypt**  
 Tel: +20 122 819 78 29  
 andrew.eid@ayvaz.com

**Ayvaz Gulf Dubai/U.A.E**  
 Tel: +971 563550822  
 +971 501306871  
 mideast@ayvaz.com

**Ayvaz China Ningbo/China**  
 Tel: +86 152 5830 7361  
 msahin@ayvaz.com

**Ayvaz Kazakhstan LLP Almaty/Kazakhstan**  
 Tel: +7 (727) 327 97 57  
 info\_kz@ayvaz.com

**Ayvaz N Ispirih/Bulgaria**  
 Tel: +359 8431 27 32  
 office@ayvaz-n.eu

**Ayvaz Serbia Belgrade/Serbia**  
 Tel: +381 61 658 70 52  
 yakbiyik@ayvaz.com

**Ayvaz Vietnam HCMC/Vietnam**  
 Tel: +84 89 8508345

**Ayvaz Americas Rhode Island/USA**  
 Tel: +1 401 737 8380  
 americas@ayvaz.com