



# ADR-20

## WORM GEAR

### GENERAL FEATURES

Ayvaz quarter turn mechanical reducers are suitable for use in general industrial applications, chemical processes, HVAC and irrigation systems. The spherical, butterfly and plug valves provide 80% ease of movement in 90 ° rotation systems.

It is recommended to use a reducer especially for DN 150-DN 300. It is necessary to use a reducer at diameters of DN 350 and above.

Ayvaz features quarter-turn mechanical gearboxes, 5% stroke adjustment, open-closed position indicator, waterproof gasket design, epoxy painted body and dialing flywheel.

**Materials:**

Body: Epoxy coated Ductile Iron

**Connection:**

ISO 5211

**Temperature Range:**

Depend on material from -20 °C to +70 °C

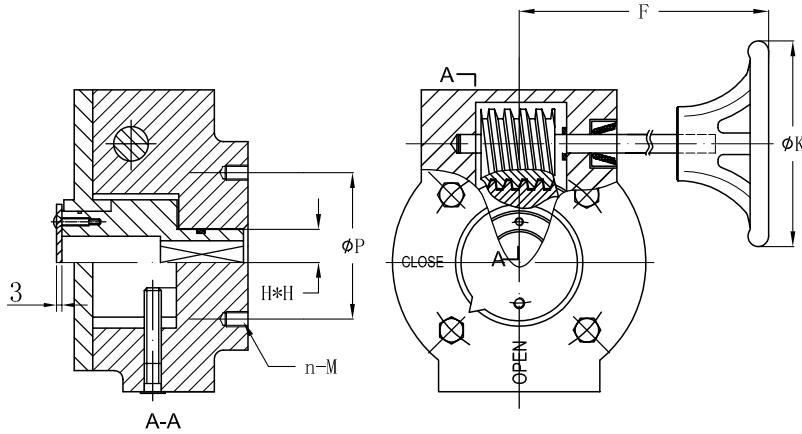
**Applications:**

- Butterfly valve
- Ball Valve
- Knife Valve

PRODUCT FEATURES	
Body	Epoxy coated Ductile Iron
Connection	ISO 5211
Connection Temp.	-20/+70 °C
Diameter	DN25 - DN1200

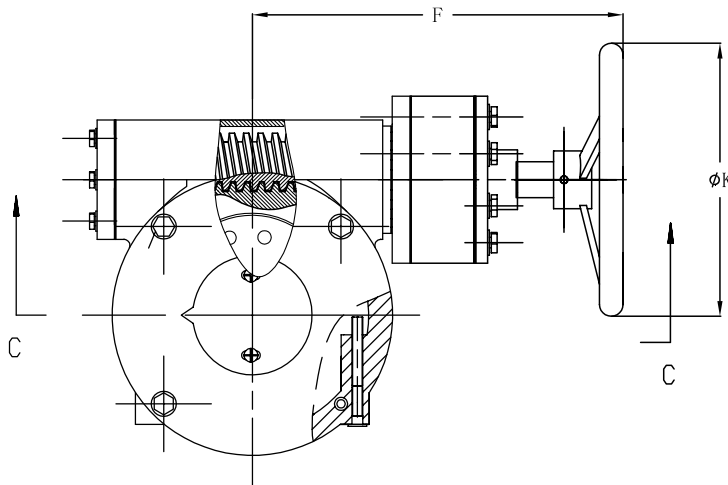
# ADR-20 WORM GEAR

## DN25-DN450 TECHNICAL SPECIFICATION



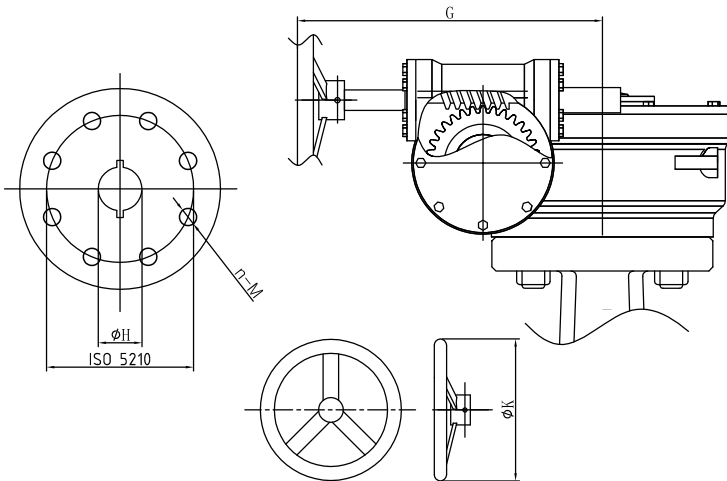
DIMENSIONS							
DN	F	ØK	ØP	n-Ød	H*H	Inlet Torque	Outlet Torque
	+3	+2	+1				
25	156	150	50	4xM6	7*7	18	170
32	156	150	50	4xM6	7*7	18	170
40	156	150	50	4xM6	9*9	18	170
50	156	150	50	4xM6	9*9	18	170
65	156	150	50	4xM6	9*9	18	170
80	156	150	50	4xM6	9*9	18	170
100	156	150	50	4xM6	11*11	18	170
125	156	150	70	4xM8	14*14	18	170
150	156	150	70	4xM8	14*14	18	170
200	241	300	102	4xM10	17*17	58	700
250	223	300	125	4xM12	22*22	58	700
300	223	300	125	4xM12	27*27	60	1200
350	223	300	125	4xM12	27*27	60	1200
400	270	400	125	4xM12	27*27	78	2500
450	270	400	165	4xM18	30*30	78	2500

## DN500-DN600 TECHNICAL SPECIFICATION



DIMENSIONS							
DN	F	ØK	ØP	n x M	H*H	Inlet Torque	Outlet Torque
	+3	+2	+1				
500	339	300	165	4xM18	36*36	30	2500
600	339	300	165	4xM20	46*46	45	4000

## DN700-DN1200 TECHNICAL SPECIFICATION



DIMENSIONS							
DN	G	ØK	ISO 5210	n-M	ØH	Inlet Torque	Outlet Torque
	+3	+2	+1				
700	243	400	F25	8-18	63.4	95	8000
800	243	400	F25	8-18	63.4	95	8000
900	278	450	F25	8-18	75	178	15000
1000	278	450	F25	8-18	85	178	15000
1200	458	450	F30	8-22	8-22	260	25000



### HEAD OFFICE - FACTORY

Atatürk Sanayi Bölgesi Hadımköy Mahallesi Mustafa İnan Caddesi No: 44 Arnavutköy - İSTANBUL  
 Tel: +90 212 771 01 45 (pbx) | Fax: +90 212 771 47 27  
 info@ayvaz.com | www.ayvaz.com

**Cona**  
**Caserta/Italy**  
 Tel: +39 0823 187 3988  
 rmolaro@ayvaz.com

**Ayvaz Germany**  
**Viernheim/Germany**  
 Tel: +49 62046014399  
 germany@ayvaz.com

**Ayvaz Ukraine**  
**Kiev/Ukraine**  
 Tel: +380 44 390 57 57  
 info@ayvaz.com.ua

**Tricorr**  
**Warsaw/Poland**  
 Tel: +48 530 030 810  
 +48 533 603 335  
 tricorr@tricorr.eu

**Ayvaz Azerbaijan**  
**Baku/Azerbaijan**  
 Tel: +99 (455) 579-84-32  
 ahayatov@ayvaz.com

**Ayvaz Egypt**  
**Cairo/Egypt**  
 Tel: +20 122 819 78 29  
 andrew.eid@ayvaz.com

**Ayvaz Gulf**  
**Dubai/U.A.E**  
 Tel: +971 563550822  
 +971 501306871  
 mideast@ayvaz.com

**Ayvaz China**  
**Ningbo/China**  
 Tel: +86 152 5830 7361  
 msahin@ayvaz.com

**Ayvaz Kazakhstan LLP**  
**Almaty/Kazakhstan**  
 Tel: +7 (727) 327 97 57  
 info\_kz@ayvaz.com

**Ayvaz N**  
**Ispirih/Bulgaria**  
 Tel: +359 8431 27 32  
 office@ayvaz-n.eu

**Ayvaz Serbia**  
**Belgrade/Serbia**  
 Tel: +381 61 658 70 52  
 yakbiyik@ayvaz.com

**Ayvaz Vietnam**  
**HCMC/Vietnam**  
 Tel: +84 89 8508345

**Ayvaz Americas**  
**Rhode Island/USA**  
 Tel: +1 401 737 8380  
 americas@ayvaz.com