

# SK-50

## FLOAT TYPE STEAM TRAP

### GENERAL FEATURES

Ayvaz SK-50 Steam Trap carry out continuous evacuation with varying amount of condensate at steam saturation temperature. It is not affected by sudden and wide pressure changes. It is preferable for systems where condensate discharge is requested to be rapid and it is preferred where condensate accumulation is inconvenient. Ideal for automatic temperature controlled systems.

In addition to the float performs the discharge task, the air is carried out by the thermostatic capsule in the body. In this way, the impact of the water hammer in the pipeline are prevented. At the same time, if the float loses its function for any reason, thermostatic capsule is activated and continues to drain the condensate and prevents congestion in the system.

#### Material Parts

**Body (DN25):** GGG 40 Ductile Iron

**Body (DN32-40-50):** GG 25 Cast Iron

**Inner Parts:** AISI304 Stainless Steel

#### Connection:

Threaded or Flanged

#### Nominal Diameter:

DN25 (1") – DN50 (2")

#### Pressure:

Max. 16 bar

#### Working Temperature:

Max. 250 °C

#### Application Areas:

- Heat exchangers
- Heating batteries
- Tanks
- Drying rollers

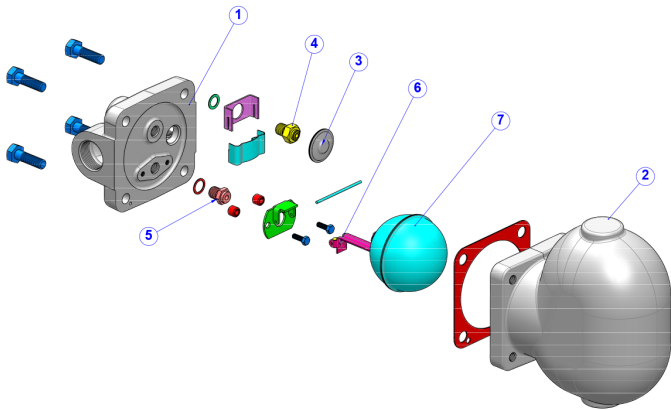
#### Installation:

Horizontal

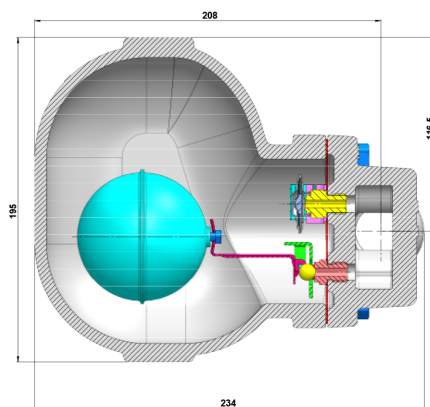
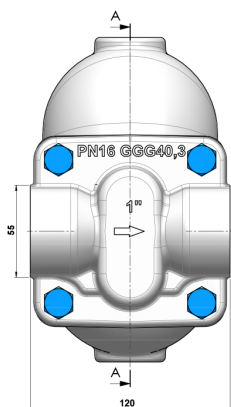
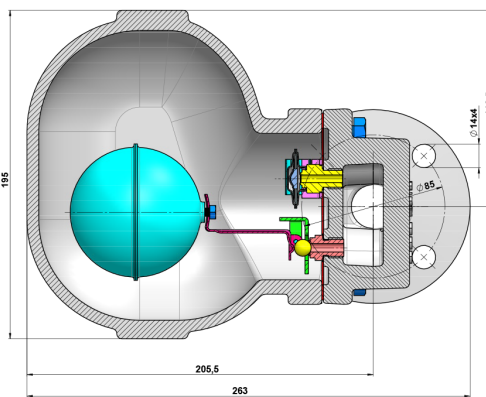
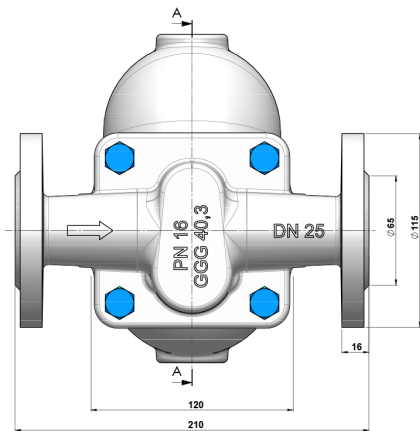
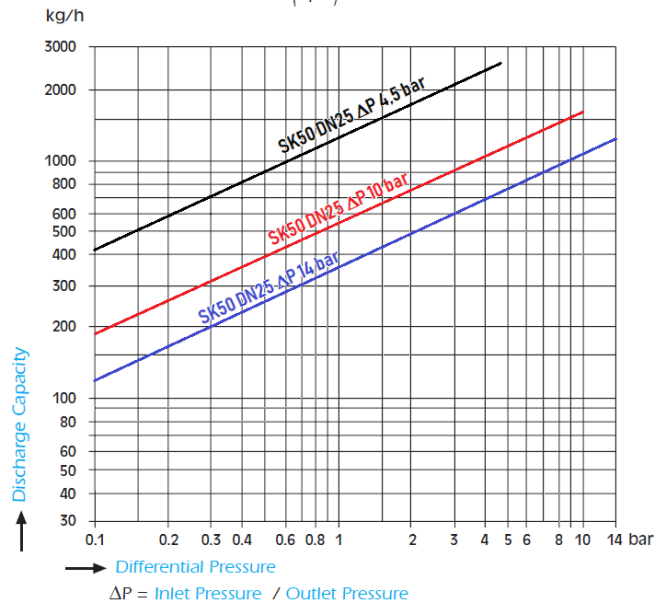
Connection Type	Flanged	Threaded
Diameters (mm)	25-32-40-50	1" - 1 1/4" - 1 1/2" - 2"
Weight (kg)	8.3-20.8-21.8-33	6.8-16.8-17.6-22

# SK-50 FLOATING BALL STEAM TRAP

## DN25 TECHNICAL SPECIFICATIONS



Discharge Capacities  
(1")

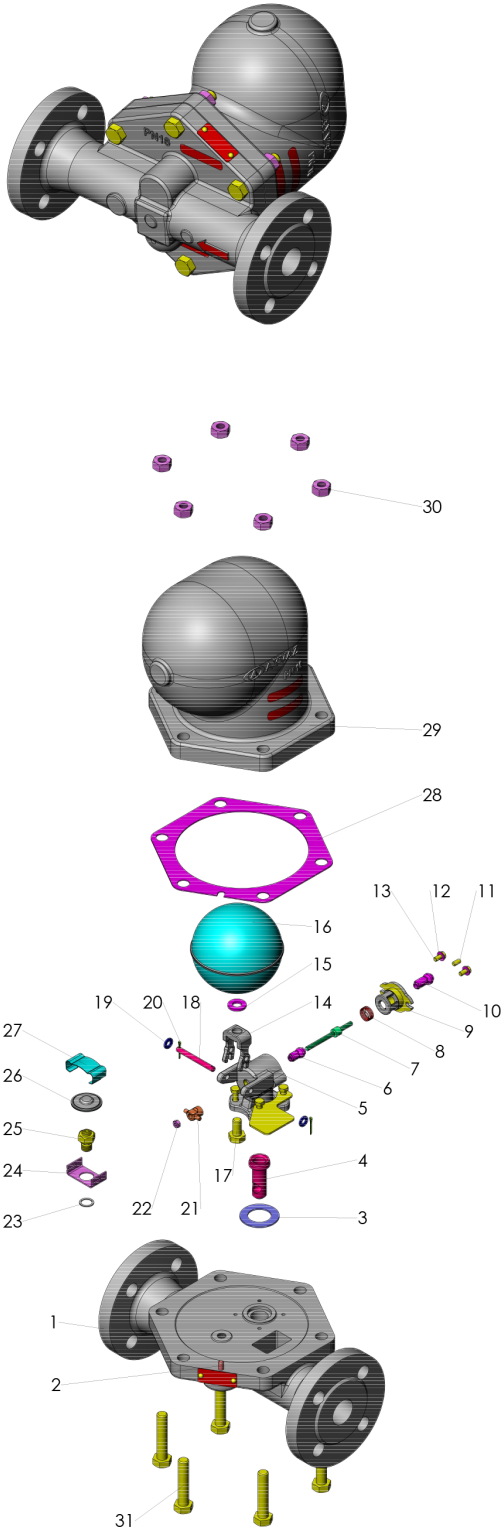


SPARE PARTS		
No	PART NAME	MATERIAL
1	Body	GGG 40
2	Cover	GGG 40
3	Thermostatic Capsule	Stainless Steel
4	Capsule Seat	Stainless Steel
5	Float Seat	Stainless Steel
6	Float Lever	Stainless Steel
7	Float	Stainless Steel

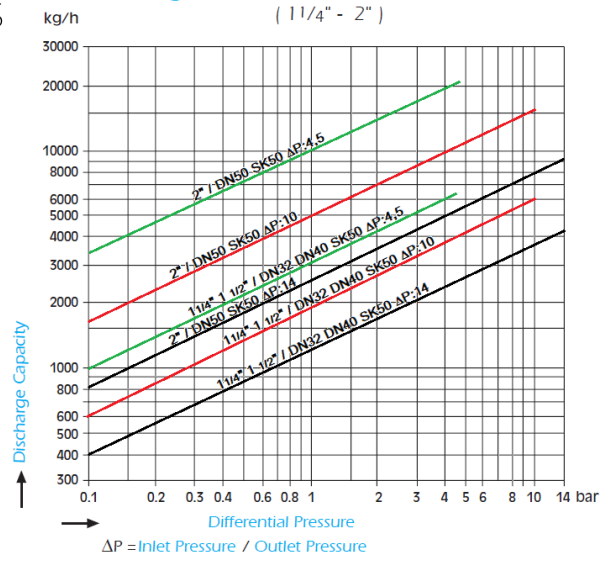
All dimensions are given in mm.

# SK-50 FLOATING BALL STEAM TRAP

## DN32-40-50 TECHNICAL SPECIFICATIONS



### Discharge Capacities

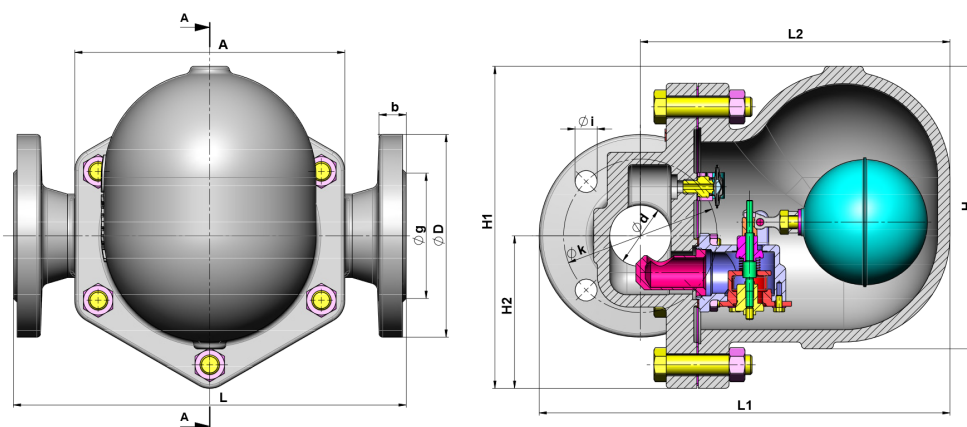


### PART LIST

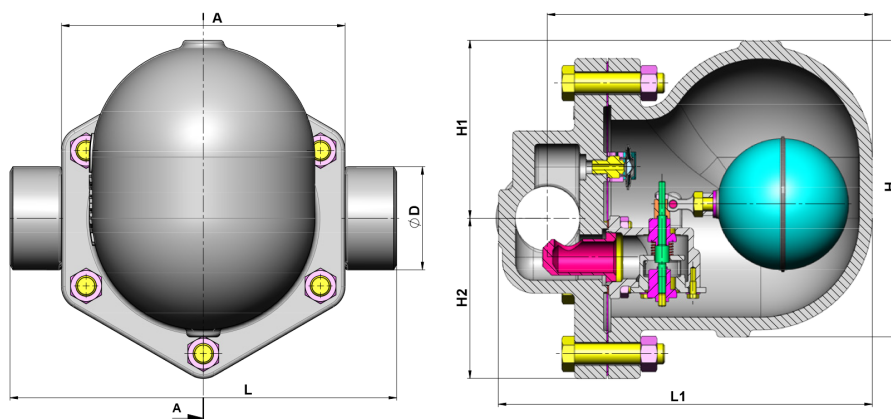
No	PART NAME	MATERIAL
1	Body	GG-25 Cast Iron
2	Spring Sleeve	55 Si 7
3	Seat Gasket	%94 Pure Graphite
4	Erosion Prevention Part	AISI 304 SS
5	Seat	AISI 430 SS
6	Orrifice	AISI 430 SS
7	Seat Stem	AISI 304 SS
8	Spring	AISI 302 SS
9	Seat Cover	1.4581
10	Orrifice	AISI 430 SS
11	Setscure	A2-70
12	Washer	AISI 304 SS
13	A.K.B. Bolt	A2-70
14	Lever	AISI 304 SS
15	Washer	AISI 304 SS
16	Float	AISI 316 SS
17	A.K.B. Bolt	A2-70
18	Float Connection Stem	AISI 304 SS
19	Washer	AISI 304 SS
20	Pim	AISI 304 SS
21	Pulley Wheel	AISI 304 SS
22	Nut	A2
23	Seat Gasket	AISI 304 SS
24	Thermostatic Element Part	AISI 304 SS
25	Therm. Element Seat	AISI 304 SS
26	Thermostatic Element	Hastelloy
27	Thermostatic Element Upper Part	Spring Steel
28	Cover Gasket	%94 Pure Graphite
29	Cover	GG-25 Cast Iron
30	Nut	8.8
31	A.K.B. Bolt	8.8

# SK-50 FLOATING BALL STEAM TRAP

## DN32-40-50 TECHNICAL SPECIFICATIONS



Dimensions												
Size	Flanged											
	ØD (mm)	Øk (mm)	Øg (mm)	b (mm)	Øixn (mm)	A (mm)	H1 (mm)	H2 (mm)	H (mm)	L1 (mm)	L2 (mm)	L (mm)
DN32	140	100	78	20	18x4	190	237.5	107.5	207	277	245	320
DN40	150	110	88	20	18x4	190	237.5	107.5	207	277	245	320
DN50	160	125	102	22	18x4	220	262	124	230	290	252	320



Dimensions								
Size	Threaded							
	ØD (mm)	A (mm)	H1 (mm)	H2 (mm)	H (mm)	L1 (mm)	L2 (mm)	L (mm)
1 1/4"	70	190	207	237.5	207	107.5	277	270
1 1/2"	70	190	207	237.5	207	107.5	277	270
2"	80	220	230	230	220	124	290	300



### HEAD OFFICE - FACTORY

Atatürk Sanayi Bölgesi Hadımköy Mahallesi Mustafa İnan Caddesi No: 44 Arnavutköy - İSTANBUL  
 Tel: +90 212 771 01 45 (pbx) | Fax: +90 212 771 47 27  
 info@ayvaz.com | www.ayvaz.com

**Cona**  
**Caserta/Italy**  
 Tel: +39 0823 187 3988  
 rmlaro@ayvaz.com

**Ayvaz Germany**  
**Viernheim/Germany**  
 Tel: +49 62046014399  
 germany@ayvaz.com

**Ayvaz Ukraine**  
**Kiev/Ukraine**  
 Tel: +380 44 390 57 57  
 info@ayvaz.com.ua

**Tricorr**  
**Warsaw/Poland**  
 Tel: +48 530 030 810  
 +48 533 603 335  
 tricorr@tricorr.eu

**Ayvaz Azerbaijan**  
**Baku/Azerbaijan**  
 Tel: +99 (455) 579-84-32  
 ahayatov@ayvaz.com

**Ayvaz Egypt**  
**Cairo/Egypt**  
 Tel: +20 122 819 78 29  
 andrew.eid@ayvaz.com

**Ayvaz Gulf**  
**Dubai/U.A.E**  
 Tel: +971 563550822  
 +971 501306871  
 mideast@ayvaz.com

**Ayvaz China**  
**Ningbo/China**  
 Tel: +86 152 5830 7361  
 msahin@ayvaz.com

**Ayvaz Kazakhstan LLP**  
**Almaty/Kazakhstan**  
 Tel: +7 (727) 327 97 57  
 info\_kz@ayvaz.com

**Ayvaz N**  
**Ispirih/Bulgaria**  
 Tel: +359 8431 27 32  
 office@ayvaz-n.eu

**Ayvaz Serbia**  
**Belgrade/Serbia**  
 Tel: +381 61 658 70 52  
 yakbiyik@ayvaz.com

**Ayvaz Vietnam**  
**HCMC/Vietnam**  
 Tel: +359 8431 27 32  
 ggursoy@ayvaz.com  
 Tel: +84 89 8508345

**Ayvaz Americas**  
**Rhode Island/USA**  
 Tel: +1 401 737 8380  
 americas@ayvaz.com